

Order No.: 5EA3BH01 | GTIN (EAN): 4058352578582

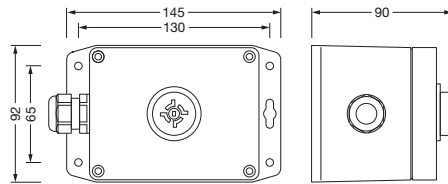
Product description: SConWi,SmartPlugBox



SITECO Connect Wireless, wall holder, installation type: surface-mounted, mains connection: 230V, AC, 50/60Hz, surface-mounted housing, of plastic, dark grey, length: 115mm, width: 80mm, height: 140mm, Smart Plug Box, protection rating (complete): IP65, certification: CE, permissible operating ambient temperature for outdoor applications: -15..+45°C, standard: according to Zhaga book 18, packaging unit: 1 piece

IP 65 CE

Wt. (kg): 0.4
GTIN (EAN): 4058352578582



Order No.: 5EA3BH01 | GTIN (EAN): 4058352578582

Detailed technical description: SConWi,SmartPlugBox



Key data

- Product type: wall holder
- Product name: SITECO Connect Wireless
- Order No.: 5EA3BH01

Certificates, Standards

- Protection rating: IP65
- Temperature range (operation): -15..+45°C
- Standard: according to Zhaga book 18
- Certification, designation: CE

Material, Colour

- surface-mounted housing: plastic, dark grey
- Colour specification: dark grey

Mounting

- Mounting method, mounting location: surface-mounted, to mast, to the wall

Electrical connection

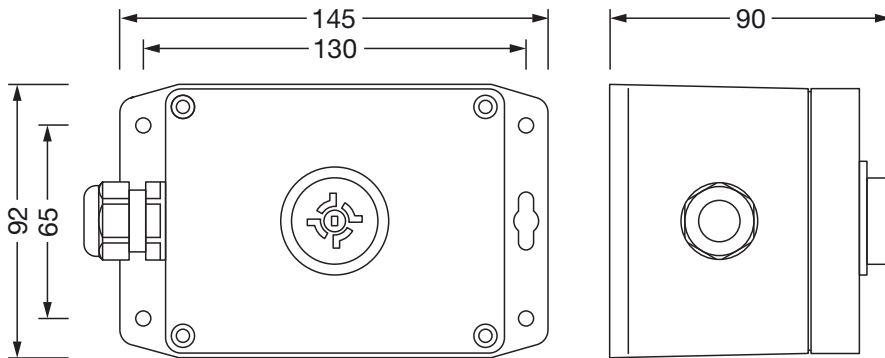
- Nominal voltage: 230V, 50/60Hz, AC

Dimensions, Weight

- Length: 115mm
- Width: 80mm
- Height: 140mm
- Weight: 0.4kg

Order No.: 5EA3BH01 | GTIN (EAN): 4058352578582

Dimensions: SConWi, SmartPlugBox



It is mandatory that the assembly instructions must be observed when planning and installing the electrical installation (to be found at www.siteco.com)

Tolerances related to thermal, electrical and photometric data according to IEC 62722

Issued 22.12.2023 - Modifications and errors subject to change - Ensure that you always use the latest version -