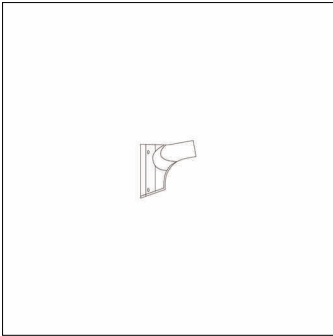


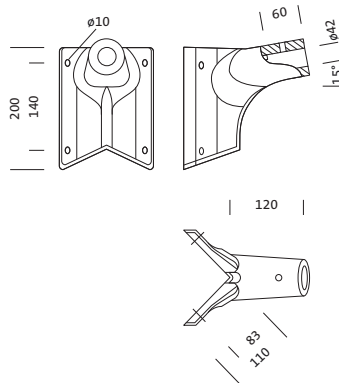
Order No.: 5NY51011 | GTIN (EAN): 4039806199614

Product description: cornerflØ42,coat,gy



corner flange, corner flange, of diecast aluminium, coated, light grey (RAL 7035), packaging unit: 1 piece

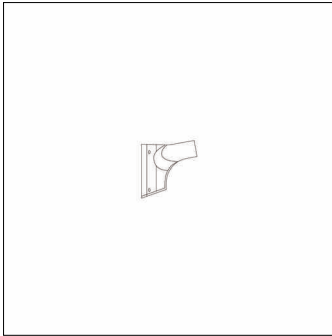
Wt. (kg): 0.9  
GTIN (EAN): 4039806199614



It is mandatory that the assembly instructions must be observed when planning and installing the electrical installation (to be found at [www.siteco.com](http://www.siteco.com))  
Tolerances related to thermal, electrical and photometric data according to IEC 62722  
Issued 24.02.2023 - Modifications and errors subject to change - Ensure that you always use the latest version -

Order No.: 5NY51011 | GTIN (EAN): 4039806199614

Detailed technical description: cornerflØ42,coat,gy



#### Key data

- Product type: corner flange
- Product name: without family assignment
- Order No.: 5NY51011

#### Material, Colour

- corner flange: diecast aluminium, coated, light grey (RAL 7035)
- Colour specification: light grey (RAL 7035)

#### Dimensions, Weight

- Weight: 0.9kg

Order No.: 5NY51011 | GTIN (EAN): 4039806199614

Dimensions: cornerflØ42,coat,gy

