

Order No.: 51DN16DG32 | GTIN (EAN): 4058352556047

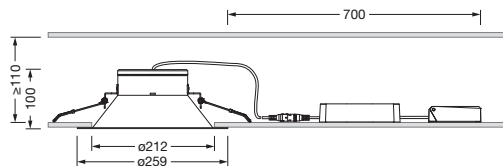
**Product description:** Lun31md,wd,2000lm830,DA2,wh



Lunis 31, midi, downlight, light control with reflector, light emission: direct distribution, LED rated luminous flux: 2.000lm, light colour: 830, mains connection: 220..240V, AC, 50/60Hz, housing, white, protection rating (complete): IP20, protection rating (on room side): IP54, insulation class (complete): insulation class II (safety insulation), certification: CE, packaging unit: 1 piece

IP 20  

Lamps: LED  
Wt. (kg): 0.5  
GTIN (EAN): 4058352556047



It is mandatory that the assembly instructions must be observed when planning and installing the electrical installation (to be found at [www.siteco.com](http://www.siteco.com))

Tolerances related to thermal, electrical and photometric data according to IEC 62722

Issued 16.02.2024 - Modifications and errors subject to change - Ensure that you always use the latest version -

Order No.: 51DN16DG32 | GTIN (EAN): 4058352556047

Detailed technical description: Lun31md,wd,2000lm830,DA2,wh



#### Key data

- Product type: downlight
- Product name: Lunis 31 midi
- Order No.: 51DN16DG32

#### Lighting technology | Lamps | Control gear

#### Component 1

#### Lighting technology:

- Light control: reflector
- Beam angle: wide distribution
- Light emission: direct distribution
- UGR viewing direction along longitudinal luminaire axis:  $\leq 22$
- UGR viewing direction along lateral luminaire axis:  $\leq 22$

#### Lamps:

- Lamps: with LED
- Rated luminous flux: 2000lm
- Luminous efficacy: 118lm/W
- Colour temperature: 3000K
- Colour rendering index: CRI > 80
- Light colour: 830
- SDCM (Standard Deviation of Colour Matching): MacAdam  $\leq 4$  SDCM (initial)
- Rated input power: 17W

#### Operating device:

- Control: DALI 2

#### Certificates, Standards

- Protection rating: IP20
- Protection rating (on room side): IP54
- Insulation class: insulation class II (safety insulation)
- Certification, designation: CE

#### Material, Colour

- Colour specification: white

#### Mounting

- Mounting method, mounting location: recessed, in the ceiling
- $\varnothing$  of ceiling cut-out: 212mm
- Arrangement: single arrangement

#### Electrical connection

- Nominal voltage: 220..240V, 50/60Hz, AC

#### Dimensions, Weight

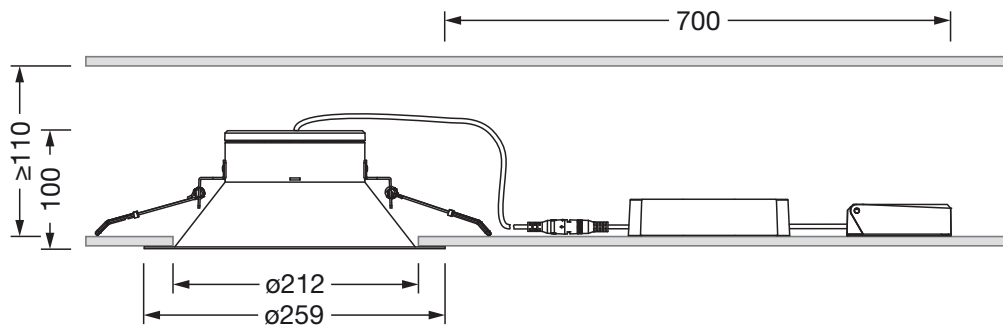
- Weight: 0.5kg

#### Service life

- Rated service life: 50000h (L80/B50) at AT = 25°C

Order No.: 51DN16DG32 | GTIN (EAN): 4058352556047

Dimensions: Lun31md,wd,2000lm830,DA2,wh



It is mandatory that the assembly instructions must be observed when planning and installing the electrical installation (to be found at [www.siteco.com](http://www.siteco.com))

Tolerances related to thermal, electrical and photometric data according to IEC 62722

Issued 16.02.2024 - Modifications and errors subject to change - Ensure that you always use the latest version -