

**Order No.:** 5WD26CDK3SN3 | **GTIN (EAN):** 4058352282984

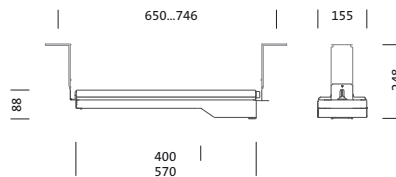
**Product description:** TL33mn,9500lm750,DA,TSG



TL 33 mini, tunnel luminaire, primary optical cover: cover panel, of toughened safety glass, transparent, non-reflecting, light emission: direct distribution, primary light characteristic: symmetric, installation type: surface-mounted, connection on mains side, LED, 5-pole, max. 1.5mm<sup>2</sup> (3G+2), High Power LED, rated luminous flux: 9.500lm, luminous efficacy: 142lm/W, light colour: 750, colour temperature: 5000K, control gear: ECG DALI, with plug connection, mains connection: 220..240V, AC, 50/60Hz, connection cable plug integrated into luminaire housing at face end / socket provided on-site (Wieland RST: type 46.051.4553.1), rated input power: 67W, housing, of stainless steel 1.4404 (AISI316), etched and passivated, length: 650mm, width: 155mm, height: 88mm, heat sink, of Al Mg 2, protection rating (complete): IP66, insulation class (complete): insulation class I (protective earthing), certification: CE, ENEC, VDE, impact resistance: IK09, permissible operating ambient temperature: -25..+55°C, packaging unit: 1 piece



Lamps:	LED
Wt. (kg):	5.0
GTIN (EAN):	4058352282984



**Order No.:** 5WD26CDK3SN3 | **GTIN (EAN):** 4058352282984

**Detailed technical description:** TL33mn,9500lm750,DA,TSG



#### Key data

- Product type: tunnel luminaire
- Product name: TL 33 mini
- Order No.: 5WD26CDK3SN3

#### Lighting technology | Lamps | Control gear

#### Component 1

#### Lighting technology:

- Cover: cover panel, transparent, non-reflecting
- Symmetry: symmetric distribution
- Light emission: direct distribution

#### Lamps:

- Lamps: with High Power LED, LED
- Rated luminous flux: 9500lm
- Luminous efficacy: 142lm/W
- Colour temperature: 5000K
- Colour rendering index: CRI > 70
- Light colour: 750
- SDCM (Standard Deviation of Colour Matching): MacAdam ≤ 5 SDCM (initial)
- Rated input power: 67W

#### Operating device:

- Control gear: ECG DALI
- Control: DALI

#### Certificates, Standards

- Protection rating: IP66
- Insulation class: insulation class I (protective earthing)
- Impact resistance: IK09
- Temperature range (operation): -25..+55°C
- Certification, designation: CE, ENEC, VDE

#### Material, Colour

- housing: stainless steel 1.4404 (AISI316), etched and passivated
- Cover: cover panel of toughened safety glass

#### Mounting

- Mounting method, mounting location: surface-mounted, to supporting structure, to the ceiling

#### Electrical connection

- Connection: plug connection
- Nominal voltage: 220..240V, 50/60Hz, AC
- Surge voltage resistance: 10kV 1.2/50µs
- Connection cable: plug integrated into luminaire housing at face end / socket provided on-site (Wieland RST: type 46.051.4553.1)

#### Dimensions, Weight

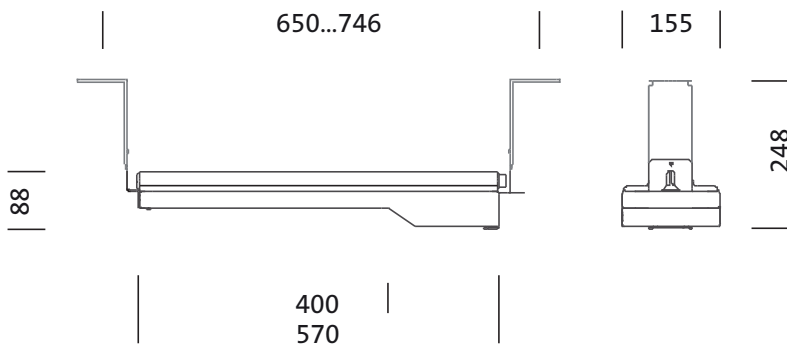
- Length: 650mm
- Width: 155mm
- Height: 88mm
- Weight: 5.0kg

#### Service life

- Rated service life: 100000h (L95/B10) at AT = 25°C

Order No.: 5WD26CDK3SN3 | GTIN (EAN): 4058352282984

Dimensions: TL33mn,9500lm750,DA,TSG



It is mandatory that the assembly instructions must be observed when planning and installing the electrical installation (to be found at [www.siteco.com](http://www.siteco.com))

Tolerances related to thermal, electrical and photometric data according to IEC 62722

Issued 13.04.2024 - Modifications and errors subject to change - Ensure that you always use the latest version -

Order No.: 5WD26CDK3SN3 | GTIN (EAN): 4058352282984

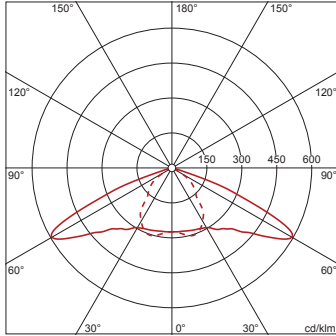
Planning data: TL33mn,9500lm750,DA,TSG

## 5WD26CDK3SN3: 1x LED

4058352282984

5WD26CDK3SN3

LED 5000 K | CRI  $\geq$  70  $\phi_{\text{W}}$  9500 lm



— C 0/180    - - - C 90/270

It is mandatory that the assembly instructions must be observed when planning and installing the electrical installation (to be found at [www.siteco.com](http://www.siteco.com))

Tolerances related to thermal, electrical and photometric data according to IEC 62722

Issued 13.04.2024 - Modifications and errors subject to change - Ensure that you always use the latest version -