

**Order No.:** 5MX31BD1E4A | **GTIN (EAN):** 4058352305430

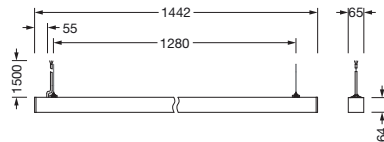
**Product description:** Silica,7070lm840,DA,L1442,sr,sp



Silica®, office luminaire, of aluminium, light emission: direct/indirect distribution, primary light characteristic: symmetric, installation type: suspended mounting, LED, rated luminous flux: 7.070lm, luminous efficacy: 155lm/W, light colour: 840, colour temperature: 4000K, control gear: ECG DALI, with terminal, 3+2-pole, max. 2.5mm<sup>2</sup>, mains connection: 230V, AC, 50/60Hz, connection cable inclusive, cable length: 1,5m, rated input power: 46W, luminaire housing, of aluminium, anodised, silver, length: 1.442mm, width: 65mm, height: 64mm, protection rating (complete): IP20, insulation class (complete): insulation class I (protective earthing), certification: CE, permissible operating ambient temperature: 0..+35°C, standard: EN 50419, packaging unit: 1 piece

IP 20  

Lamps:	LED
Wt. (kg):	4.0
GTIN (EAN):	4058352305430



**Order No.:** 5MX31BD1E4A | **GTIN (EAN):** 4058352305430

**Detailed technical description:** Silica,7070lm840,DA,L1442,sr,sp



#### Key data

- Product type: office luminaire
- Product name: Silica®
- Order No.: 5MX31BD1E4A

#### Lighting technology | Lamps | Control gear

##### Component 1

#### Lighting technology:

- Beam angle: wide distribution
- Symmetry: symmetric
- Light emission: direct/indirect distribution
- UGR viewing direction along longitudinal luminaire axis:  $\leq 19$
- UGR viewing direction along lateral luminaire axis:  $\leq 19$

#### Lamps:

- Lamps: with LED
- Rated luminous flux: 7070lm
- Luminous efficacy: 155lm/W
- Colour temperature: 4000K
- Colour rendering index: CRI > 80
- Light colour: 840
- SDCM (Standard Deviation of Colour Matching): MacAdam  $\leq 3$  SDCM (initial)
- Rated input power: 46W

#### Operating device:

- Control gear: ECG DALI
- Control: DALI (2 addresses)

#### Certificates, Standards

- Protection rating: IP20
- Insulation class: insulation class I (protective earthing)
- Temperature range (operation): 0..+35°C
- Standard: EN 50419
- Certification, designation: CE

#### Material, Colour

- luminaire housing: aluminium, anodised, silver
- Colour specification: silver

#### Mounting

- Mounting method, mounting location: suspended mounting
- Arrangement: single arrangement

#### Electrical connection

- Connection: terminal, 3+2-pole, max. 2.5mm<sup>2</sup>
- Nominal voltage: 230V, 220..240V, 50/60Hz, AC
- Connection cable: inclusive, L= 1.5m

#### Dimensions, Weight

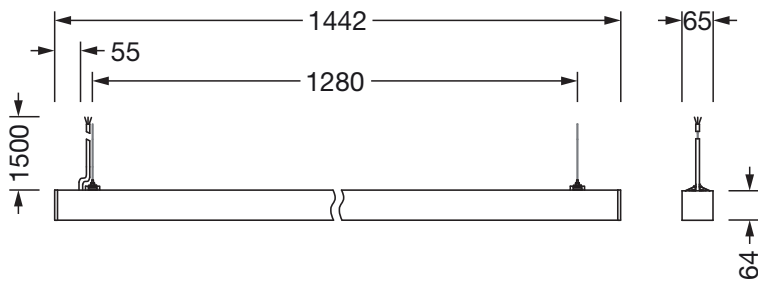
- Length: 1442mm
- Width: 65mm
- Height: 64mm
- Weight: 4.0kg

#### Service life

- Rated service life: 50000h (L85/B50) at AT = 25°C

Order No.: 5MX31BD1E4A | GTIN (EAN): 4058352305430

Dimensions: Silica,7070lm840,DA,L1442,sr,sp



It is mandatory that the assembly instructions must be observed when planning and installing the electrical installation (to be found at [www.siteco.com](http://www.siteco.com))

Tolerances related to thermal, electrical and photometric data according to IEC 62722

Issued 16.02.2024 - Modifications and errors subject to change - Ensure that you always use the latest version -

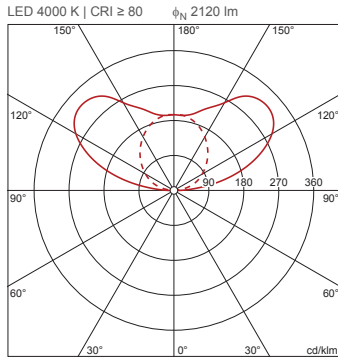
Order No.: 5MX31BD1E4A | GTIN (EAN): 4058352305430

Planning data: Silica,7070lm840,DA,L1442,sr,sp

**5MX31BD1E4A: 1x LED;  
individual setting: only  
indirect light**

4058352305430  
5MX31BD1E4A

LED 4000 K | CRI ≥ 80



$\phi_{\downarrow}$  0%  $\phi_{\uparrow}$  100%

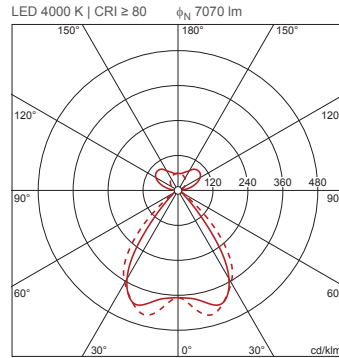
Luminance values (cd/m<sup>2</sup>)

	C 0/180	C 90/270
L <sub>80</sub>	0	0
L <sub>70</sub>	0	0
L <sub>65</sub>	0	0

**5MX31BD1E4A: 1x LED;  
factory setting: direct and  
indirect light**

4058352305430  
5MX31BD1E4A

LED 4000 K | CRI ≥ 80



$\phi_{\downarrow}$  70%  $\phi_{\uparrow}$  30%

Luminance values (cd/m<sup>2</sup>)

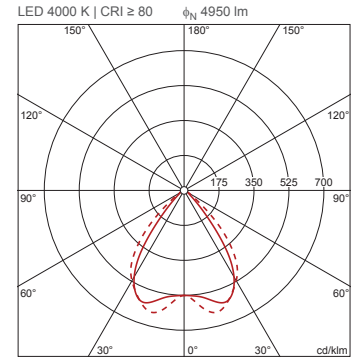
	C 0/180	C 90/270
L <sub>80</sub>	1073	1278
L <sub>70</sub>	1727	2144
L <sub>65</sub>	1968	2820

UGR 15 16.7  
X 4H Y 8H  $\rho$  70/50/20 S 0.25H

**5MX31BD1E4A: 1x LED;  
individual setting: only direct  
light**

4058352305430  
5MX31BD1E4A

LED 4000 K | CRI ≥ 80



$\phi_{\downarrow}$  100%  $\phi_{\uparrow}$  0%

Luminance values (cd/m<sup>2</sup>)

	C 0/180	C 90/270
L <sub>80</sub>	1073	1278
L <sub>70</sub>	1727	2144
L <sub>65</sub>	1968	2820

UGR 17.3 19  
X 4H Y 8H  $\rho$  70/50/20 S 0.25H