

Order No.: 5DTAXTSC6231 | GTIN (EAN): 4050737843216

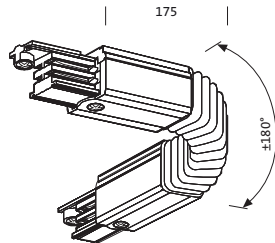
Product description: AXT,angleconn-flex,recsurf,plast,gy



AX T, flexible angle connector, installation type: recessed, surface-mounted, control gear: DALI, of plastic, grey, for 3-phase track, can be rotated through 360°, certification: CE, packaging unit: 1 piece

CE

Wt. (kg): 0.2
GTIN (EAN): 4050737843216



Order No.: 5DTAXTSC6231 | GTIN (EAN): 4050737843216

Detailed technical description: AXT,angleconn-flex,recsurf,plast,gy



Key data

- Product type: flexible angle connector
- Product name: AX T
- Order No.: 5DTAXTSC6231

Lighting technology | Lamps | Control gear

Component 1

Operating device:

- Control: DALI

Certificates, Standards

- Certification, designation: CE

Mounting

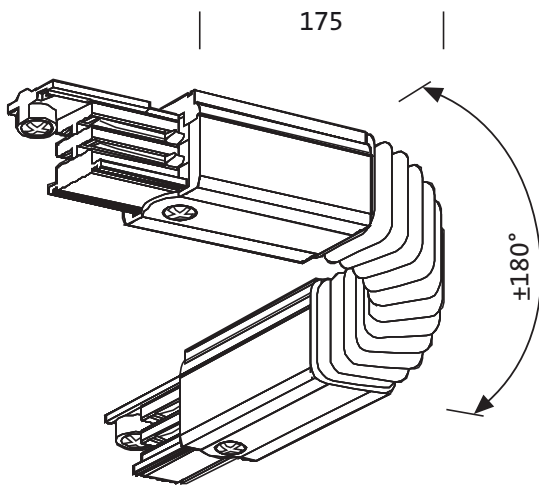
- Mounting method, mounting location:
surface-mounted, recessed, to the ceiling, in the ceiling

Dimensions, Weight

- Weight: 0.2kg

Order No.: 5DTAXTSC6231 | GTIN (EAN): 4050737843216

Dimensions: AXT,angleconn-flex,recsurf,plast,gy



It is mandatory that the assembly instructions must be observed when planning and installing the electrical installation (to be found at www.siteco.com)

Tolerances related to thermal, electrical and photometric data according to IEC 62722

Issued 14.02.2026 - Modifications and errors subject to change - Ensure that you always use the latest version -