

Order No.: 5EA1FSE01 | GTIN (EAN): 4050737071503

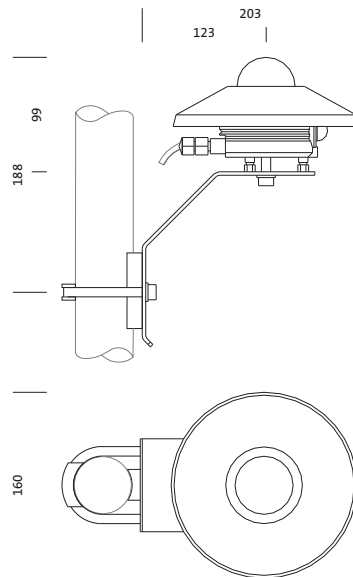
Product description: iLuxsens,illum,surf



iLuxsensor, installation type: surface-mounted, installation location: to the wall, to mast, of diecast aluminium, protection rating (complete): IP65, insulation class (complete): insulation class II (safety insulation), certification: CE, connection cable included, cable length: 10 m, 1 x illuminance, 1 x serial interface, 1 x digital TTL level, packaging unit: 1 piece

IP 65  

Wt. (kg): 2.0
GTIN (EAN): 4050737071503



It is mandatory that the assembly instructions must be observed when planning and installing the electrical installation (to be found at www.siteco.com)
Tolerances related to thermal, electrical and photometric data according to IEC 62722
Issued 05.01.2024 - Modifications and errors subject to change - Ensure that you always use the latest version -

Order No.: 5EA1FSE01 | GTIN (EAN): 4050737071503

Detailed technical description: iLuxsens,illum,surf



Key data

- Product type: sensor
- Product name: iLux
- Order No.: 5EA1FSE01

Certificates, Standards

- Protection rating: IP65
- Insulation class: insulation class II (safety insulation)
- Temperature range (operation): -25..+80°C
- Certification, designation: CE

Material, Colour

- housing: diecast aluminium, coated, beige (RAL 1001)
- Colour specification: beige (RAL 1001)

Mounting

- Mounting method, mounting location: surface-mounted, to mast, to the wall
- Mounting height: object related (mounting location without light from other sources)

Electrical connection

- Operative power consumption: max. 6.75VA
- Connection cable: included, L= 10m

Dimensions, Weight

- Length: 160mm
- Height: 76mm
- Weight: 2.0kg

Inputs

1x illuminance

- Connection: light sensor
- Illuminance: 1..150klx
- Feature: bidirectional supply via the mains supply, measurement deviation \leq 1% (measurement range end value for I/U/P/E), active signal amplification

1x serial interface

- Connection: terminal pin
- Voltage type: digital
- Supply voltage: 0V/5V
- Option: only for service purposes
- Feature: TTL level, serial protocol; cable not included in supply

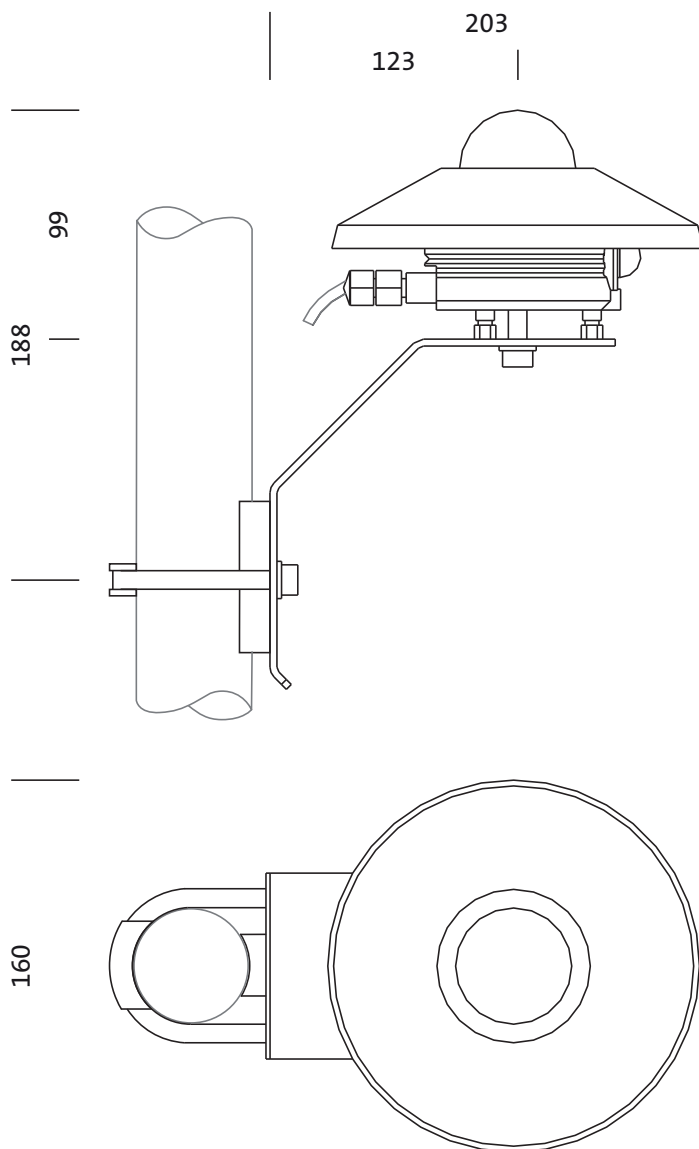
Outputs

1x digital TTL level

- Connection: pin terminal
- Feature: interconnecting cable with two premounted plugs included in scope of supply

Order No.: 5EA1FSE01 | GTIN (EAN): 4050737071503

Dimensions: iLuxsens,illum,surf



It is mandatory that the assembly instructions must be observed when planning and installing the electrical installation (to be found at www.siteco.com)

Tolerances related to thermal, electrical and photometric data according to IEC 62722

Issued 05.01.2024 - Modifications and errors subject to change - Ensure that you always use the latest version -