

Order No.: 5MB2512L30830 | **GTIN (EAN):** 4052899488793

Product description: Arktika[®] 21 off-lum, LED, 3670lm830, ECG, dir/ind

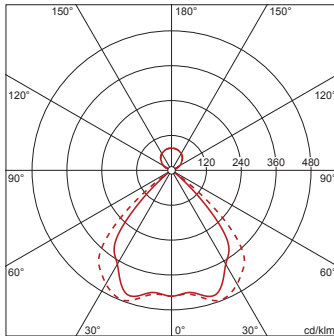


Arktika[®] 21, office luminaire, primary anti-glare with honeycomb louvre, of plastic, aluminium vaporised, highly specular, light emission: direct/indirect distribution, primary light characteristic: symmetric, installation type: suspended mounting, LED, rated luminous flux: 3.670lm, luminous efficacy: 120lm/W, light colour: 830, colour temperature: 3000K, control gear: ECG, with terminal, 3-pole, mains connection: 220..240V, AC, 50/60Hz, rated input power: 31W, housing, of aluminium, powder-coated, traffic white (RAL 9016), 1-length, length: 1.250mm, width: 120mm, height: 8mm, protection rating (complete): IP20, insulation class (complete): insulation class II (safety insulation), certification: CE, packaging unit: 1 piece

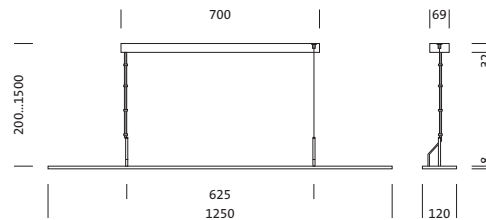
IP 20  

4052899488793
5MB2512L30830

LED 3000K / CRI ≥ 80 Φ_{N} 3670 lm



Lamps: LED
Wt. (kg): 1.8
GTIN (EAN): 4052899488793



It is mandatory that the assembly instructions must be observed when planning and installing the electrical installation (to be found at www.siteco.com)

Tolerances related to thermal, electrical and photometric data according to IEC 62722

Issued 08.09.2023 - Modifications and errors subject to change - Ensure that you always use the latest version -

Order No.: 5MB2512L30830 | GTIN (EAN): 4052899488793

Detailed technical description: Arktika® 21 off-lum,LED,3670lm830,ECG,dir/ind



Key data

- Product type: office luminaire
- Product name: Arktika® 21
- Order No.: 5MB2512L30830

Lighting technology | Lamps | Control gear

Component 1

Lighting technology:

- Glare reduction: honeycomb louvre of plastic, aluminium vaporised, highly specular
- Beam angle: wide distribution, 95°
- Symmetry: symmetric
- Light emission: direct/indirect distribution, 75:25
- UGR viewing direction along longitudinal luminaire axis: ≤ 19

Lamps:

- Lamps: with LED
- Rated luminous flux: 3670lm
- Luminous efficacy: 120lm/W
- Colour temperature: 3000K
- Colour rendering index: CRI > 80
- Light colour: 830
- SDCM (Standard Deviation of Colour Matching): MacAdam ≤ 3 SDCM (initial)
- Rated input power: 31W

Operating device:

- Control gear: ECG
- Control: ON/OFF

Certificates, Standards

- Protection rating: IP20
- Insulation class: insulation class II (safety insulation)
- Certification, designation: CE

Material, Colour

- housing: aluminium, powder-coated, traffic white (RAL 9016), 1-length
- Colour specification: traffic white (RAL 9016)

Mounting

- Mounting method, mounting location: suspended mounting, to the wire suspension, to the ceiling
- Recommended suspension height: 0.2..1.5m

Electrical connection

- Connection: terminal, 3-pole
- Nominal voltage: 220..240V, 50/60Hz, AC

Dimensions, Weight

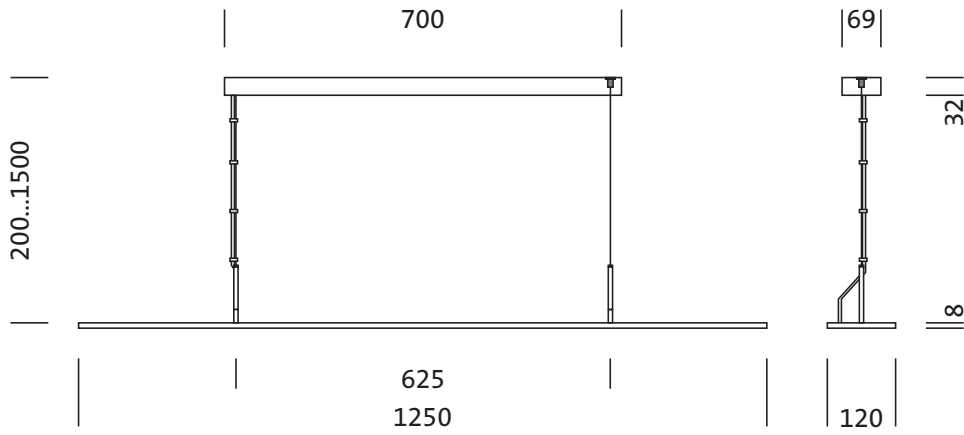
- Length: 1250mm
- Width: 120mm
- Height: 8mm
- Weight: 1.8kg

Service life

- Rated service life: 50000h (L80/B50) at AT = 25°C

Order No.: 5MB2512L30830 | GTIN (EAN): 4052899488793

Dimensions: Arkt21 off-lum,LED,3670lm830,ECG,dir/ind



It is mandatory that the assembly instructions must be observed when planning and installing the electrical installation (to be found at www.siteco.com)
Tolerances related to thermal, electrical and photometric data according to IEC 62722
Issued 08.09.2023 - Modifications and errors subject to change - Ensure that you always use the latest version -

Order No.: 5MB2512L30830 | GTIN (EAN): 4052899488793

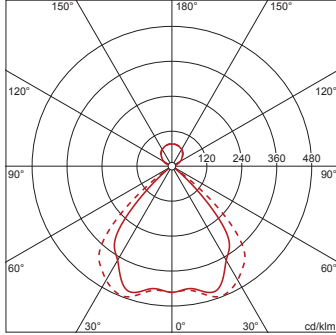
Planning data: Arkt21off-lum,LED,3670lm830,ECG,dir/ind

5MB2512L30830: 1x LED
3000K / CRI ≥ 80

4052899488793

5MB2512L30830

LED 3000K / CRI ≥ 80 ϕ_N 3670 lm



ϕ_d 79% ϕ_t 21%

Luminance values (cd/m²)

	C 0/180	C 90/270
L ₈₀	181	271
L ₇₀	244	247
L ₆₅	303	283

UGR 17.8 18.4

X 4H Y 8H ρ 70/50/20 S 0.25H

No. of luminaires in room

Reflection factors 70/50/20

Em(lx)	100		200		500	
	Lh(m)	Rh(m)	Lh(m)	Rh(m)	Lh(m)	Rh(m)
20 m ²	2.5	3.0	2.5	3.0	2.5	3.0
30 m ²	0.7	0.8	1.4	1.6	3.6	4.0
40 m ²	1.2	1.3	2.4	2.6	6.0	6.5
50 m ²	1.5	1.7	3.0	3.3	7.5	8.3
75 m ²	1.8	2.0	3.7	4.0	9.1	10.0
100 m ²	2.8	2.9	5.6	5.8	14	15
100 m ²	3.5	3.8	7.1	7.5	18	19
500 m ²	17	17	34	34	84	86

Maintenance factor 0.8

Rh = Lh + 0.5 m

It is mandatory that the assembly instructions must be observed when planning and installing the electrical installation (to be found at www.siteco.com)

Tolerances related to thermal, electrical and photometric data according to IEC 62722

Issued 08.09.2023 - Modifications and errors subject to change - Ensure that you always use the latest version -