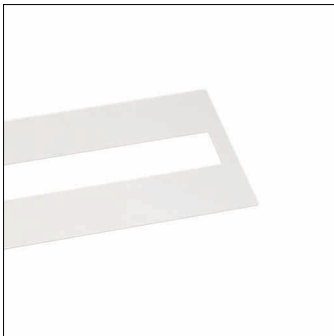


Order No.: 5MN91401 | GTIN (EAN): 4050737754987

Product description: Vega11passepartout,dir

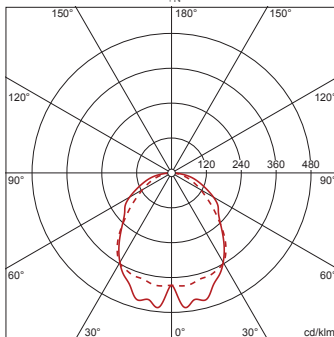


Vega 11, passepartout, light emission: direct distribution, passepartout, for luminaire, packaging unit: 1 piece

Wt. (kg): 0.5
GTIN (EAN): 4050737754987

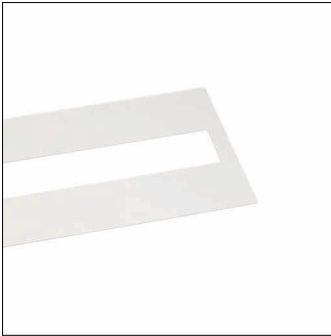
4050737963761 + 4050737754987
5MN238DLC + 5MN91401

LED 4000K / CRI \geq 80 ϕ_N 4170 lm



Order No.: 5MN91401 | GTIN (EAN): 4050737754987

Detailed technical description: Vega11 passepartout,dir



Key data

- Product type: passepartout
- Product name: Vega 11
- Order No.: 5MN91401

Lighting technology | Lamps | Control gear

Component 1

Lighting technology:

- Light emission: direct distribution

Dimensions, Weight

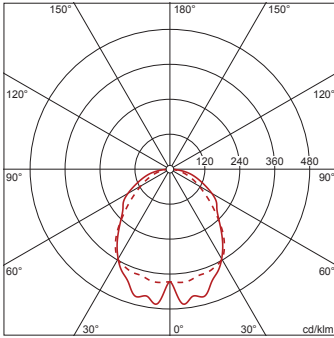
- Weight: 0.5kg

Order No.: 5MN91401 | GTIN (EAN): 4050737754987

Planning data: Vega11passepartout,dir

**5MN238DLC + 5MN91401: 1x
LED 4000K / CRI ≥ 80**

4050737963761 + 4050737754987
5MN238DLC + 5MN91401
LED 4000K / CRI ≥ 80 ϕ_N 4170 lm



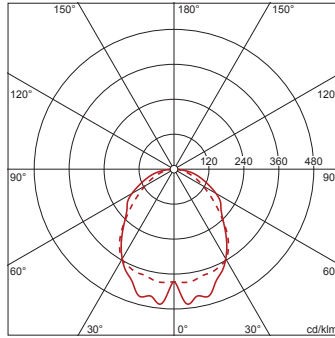
No. of luminaires in room
Reflection factors 70/50/20

Em(lx)	100		200		500	
Lh(m)	2.5	3.0	2.5	3.0	2.5	3.0
20 m ²	0.7	0.8	1.4	1.6	3.5	4.1
30 m ²	1.1	1.2	2.1	2.3	5.3	5.8
40 m ²	1.3	1.5	2.7	2.9	6.7	7.4
50 m ²	1.6	1.8	3.2	3.5	8.1	8.8
75 m ²	2.4	2.5	4.8	5.1	12	13
100 m ²	3.1	3.3	6.2	6.5	15	16
500 m ²	14	14	28	29	70	72

Maintenance factor 0.8 Rh = Lh

**5MN238DLC003 + 5MN91401:
1x LED 3000K / CRI ≥ 80**

4050737964164 + 4050737754987
5MN238DLC003 + 5MN91401
LED 3000K / CRI ≥ 80 ϕ_N 4180 lm



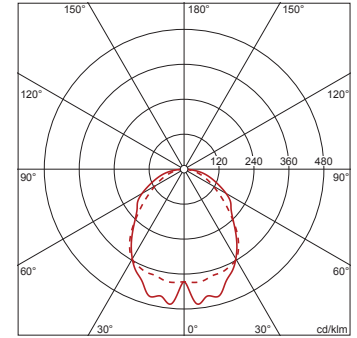
No. of luminaires in room
Reflection factors 70/50/20

Em(lx)	100		200		500	
Lh(m)	2.5	3.0	2.5	3.0	2.5	3.0
20 m ²	0.7	0.8	1.4	1.6	3.5	4.0
30 m ²	1.1	1.2	2.1	2.3	5.3	5.8
40 m ²	1.3	1.5	2.7	2.9	6.7	7.3
50 m ²	1.6	1.8	3.2	3.5	8.1	8.8
75 m ²	2.4	2.5	4.7	5.0	12	13
100 m ²	3.1	3.3	6.1	6.5	15	16
500 m ²	14	14	28	29	70	72

Maintenance factor 0.8 Rh = Lh

**5MN238DLC0S + 5MN91401:
1x LED 4000K / CRI ≥ 80**

4050737964041 + 4050737754987
5MN238DLC0S + 5MN91401
LED 4000K / CRI ≥ 80 ϕ_N 4170 lm



No. of luminaires in room
Reflection factors 70/50/20

Em(lx)	100		200		500	
Lh(m)	2.5	3.0	2.5	3.0	2.5	3.0
20 m ²	0.7	0.8	1.4	1.6	3.5	4.1
30 m ²	1.1	1.2	2.1	2.3	5.3	5.8
40 m ²	1.3	1.5	2.7	2.9	6.7	7.4
50 m ²	1.6	1.8	3.2	3.5	8.1	8.8
75 m ²	2.4	2.5	4.8	5.1	12	13
100 m ²	3.1	3.3	6.2	6.5	15	16
500 m ²	14	14	28	29	70	72

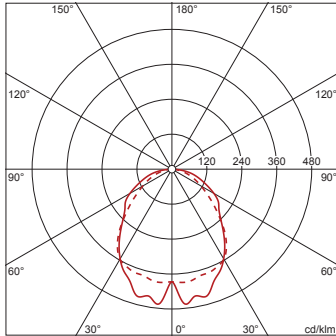
Maintenance factor 0.8 Rh = Lh

Order No.: 5MN91401 | GTIN (EAN): 4050737754987

Planning data: Vega11passepartout,dir

**5MN238DLE + 5MN91401: 1x
LED 4000K / CRI ≥ 80**

4050737964188 + 4050737754987
5MN238DLE + 5MN91401
LED 4000K / CRI ≥ 80 ϕ_N 7910 lm



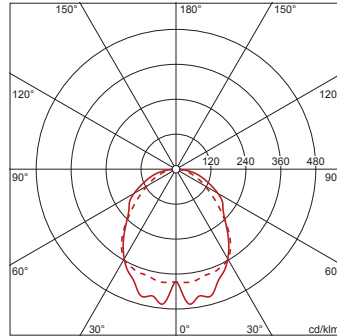
No. of luminaires in room
Reflection factors 70/50/20

Em(lx)	100		200		500	
Lh(m)	2.5	3.0	2.5	3.0	2.5	3.0
20 m ²	0.4	0.4	0.7	0.9	1.9	2.1
30 m ²	0.6	0.6	1.1	1.2	2.8	3.1
40 m ²	0.7	0.8	1.4	1.6	3.5	3.9
50 m ²	0.9	0.9	1.7	1.9	4.3	4.6
75 m ²	1.3	1.3	2.5	2.7	6.3	6.7
100 m ²	1.6	1.7	3.2	3.4	8.1	8.6
500 m ²	7.4	7.6	15	15	37	38

Maintenance factor 0.8 Rh = Lh

**5MN238DLE003 + 5MN91401:
1x LED 3000K / CRI ≥ 80**

4050737963846 + 4050737754987
5MN238DLE003 + 5MN91401
LED 3000K / CRI ≥ 80 ϕ_N 7100 lm



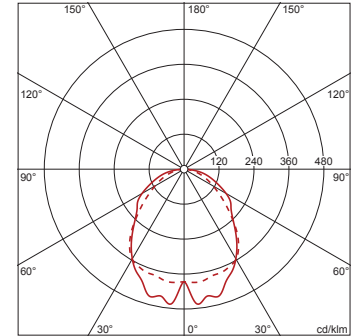
No. of luminaires in room
Reflection factors 70/50/20

Em(lx)	100		200		500	
Lh(m)	2.5	3.0	2.5	3.0	2.5	3.0
20 m ²	0.4	0.5	0.8	1.0	2.1	2.4
30 m ²	0.6	0.7	1.2	1.4	3.1	3.4
40 m ²	0.8	0.9	1.6	1.7	3.9	4.3
50 m ²	0.9	1.0	1.9	2.1	4.7	5.2
75 m ²	1.4	1.5	2.8	3.0	7.0	7.4
100 m ²	1.8	1.9	3.6	3.8	9.0	9.6
500 m ²	8.2	8.5	16	17	41	42

Maintenance factor 0.8 Rh = Lh

**5MN238DLE0S + 5MN91401:
1x LED 4000K / CRI ≥ 80**

4050737963747 + 4050737754987
5MN238DLE0S + 5MN91401
LED 4000K / CRI ≥ 80 ϕ_N 7910 lm



No. of luminaires in room
Reflection factors 70/50/20

Em(lx)	100		200		500	
Lh(m)	2.5	3.0	2.5	3.0	2.5	3.0
20 m ²	0.4	0.4	0.7	0.9	1.9	2.1
30 m ²	0.6	0.6	1.1	1.2	2.8	3.1
40 m ²	0.7	0.8	1.4	1.6	3.5	3.9
50 m ²	0.9	0.9	1.7	1.9	4.3	4.6
75 m ²	1.3	1.3	2.5	2.7	6.3	6.7
100 m ²	1.6	1.7	3.2	3.4	8.1	8.6
500 m ²	7.4	7.6	15	15	37	38

Maintenance factor 0.8 Rh = Lh

It is mandatory that the assembly instructions must be observed when planning and installing the electrical installation (to be found at www.siteco.com)

Tolerances related to thermal, electrical and photometric data according to IEC 62722

Issued 30.10.2025 - Modifications and errors subject to change - Ensure that you always use the latest version -

Order No.: 5MN91401 | GTIN (EAN): 4050737754987

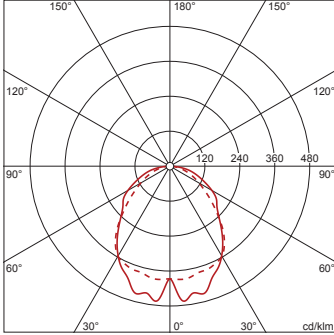
Planning data: Vega11passepartout,dir

5MN238DLE0S3 + 5MN91401:
1x LED 3000K / CRI ≥ 80

4050737964263 + 4050737754987

5MN238DLE0S3 + 5MN91401

LED 3000K / CRI ≥ 80 Φ_{N} 7100 lm



No. of luminaires in room

Reflection factors 70/50/20

Em(x)	100		200		500	
Lh(m)	2.5	3.0	2.5	3.0	2.5	3.0
20 m ²	0.4	0.5	0.8	1.0	2.1	2.4
30 m ²	0.6	0.7	1.2	1.4	3.1	3.4
40 m ²	0.8	0.9	1.6	1.7	3.9	4.3
50 m ²	0.9	1.0	1.9	2.1	4.7	5.2
75 m ²	1.4	1.5	2.8	3.0	7.0	7.4
100 m ²	1.8	1.9	3.6	3.8	9.0	9.6
500 m ²	8.2	8.5	16	17	41	42

Maintenance factor 0.8

Rh = Lh

It is mandatory that the assembly instructions must be observed when planning and installing the electrical installation (to be found at www.siteco.com)

Tolerances related to thermal, electrical and photometric data according to IEC 62722

Issued 30.10.2025 - Modifications and errors subject to change - Ensure that you always use the latest version -