

**Order No.:** 5MZ214D0TWA | **GTIN (EAN):** 4058352124062

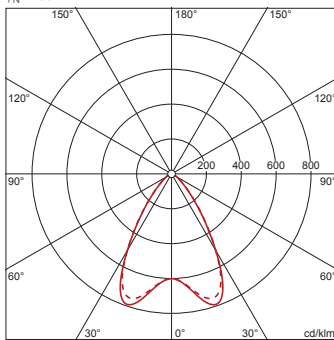
**Product description:** Scri11,LED7190lm8tw,DA,L3088,surf



Scriptus® 11, office luminaire, primary optical cover: lenses, CAT 2 ( $L \leq 3000 \text{cd/m}^2$ ), light emission: direct distribution, primary light characteristic: symmetric, installation type: surface-mounted, LED, rated luminous flux: 7.190lm, luminous efficacy: 137lm/W, light colour: 8tw, colour temperature: 3000..6500K, control gear: DALI, with terminal, 5-pole, mains connection: 230V, AC, 50Hz, rated input power: 53W, housing, luminaire housing, of aluminium, traffic white (RAL 9016), length: 3.088mm, width: 114mm, height: 57mm, protection rating (complete): IP20, insulation class (complete): insulation class I (protective earthing), certification: CE, protection symbol: F, permissible operating ambient temperature: 0..+35°C, standard: EN 50419, packaging unit: 1 piece

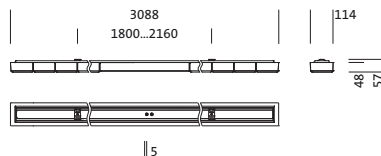
4058352124062  
5MZ214D0TWA

LED 3000K + 6500K / CRI  $\geq 80$   
 $\phi_N$  7190 lm



IP 20  

Lamps:	LED
Wt. (kg):	9.8
GTIN (EAN):	4058352124062



It is mandatory that the assembly instructions must be observed when planning and installing the electrical installation (to be found at [www.siteco.com](http://www.siteco.com))

Tolerances related to thermal, electrical and photometric data according to IEC 62722

Issued 27.09.2024 - Modifications and errors subject to change - Ensure that you always use the latest version -

Order No.: 5MZ214D0TWA | GTIN (EAN): 4058352124062

Detailed technical description: Scri11,LED7190lm8tw,DA,L3088,surf



#### Key data

- Product type: office luminaire
- Product name: Scriptus® 11
- Order No.: 5MZ214D0TWA

#### Lighting technology | Lamps | Control gear

##### Component 1

#### Lighting technology:

- Cover: lenses
- Symmetry: symmetric
- Light emission: direct distribution
- UGR viewing direction along longitudinal luminaire axis:  $\leq 19$
- UGR viewing direction along lateral luminaire axis:  $\leq 19$

#### Lamps:

- Lamps: with LED
- Rated luminous flux: 7190lm
- Luminous efficacy: 137lm/W
- Colour temperature: 3000..6500K
- Colour rendering index: CRI > 80
- Light colour: 8tw
- Rated input power: 53W

#### Operating device:

- Control gear: ECG DALI
- Control: DALI

#### Certificates, Standards

- Protection rating: IP20
- Insulation class: insulation class I (protective earthing)
- Protection symbol: F
- Temperature range (operation): 0..+35°C
- Standard: EN 50419
- Certification, designation: CE

#### Material, Colour

- housing: aluminium, traffic white (RAL 9016)
- luminaire housing: aluminium, traffic white (RAL 9016)
- Colour specification: traffic white (RAL 9016)
- Cover: lenses

#### Mounting

- Mounting method, mounting location: surface-mounted, to the ceiling
- Arrangement: single arrangement

#### Electrical connection

- Connection: terminal, 5-pole
- Nominal voltage: 230V, 230..240V, 50Hz, AC

#### Dimensions, Weight

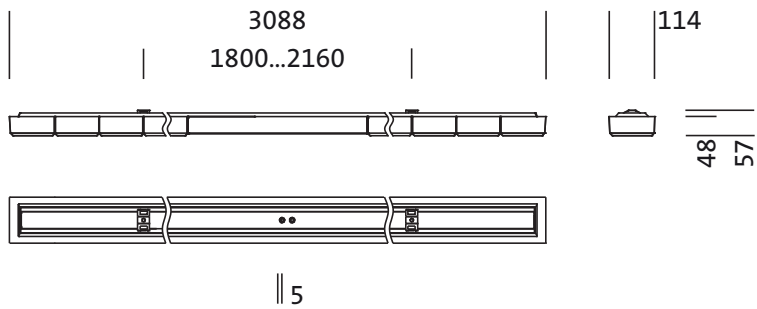
- Length: 3088mm
- Width: 114mm
- Height: 57mm
- Weight: 9.8kg

#### Service life

- Rated service life: 50000h (L85/B50) at AT = 25°C

Order No.: 5MZ214D0TWA | GTIN (EAN): 4058352124062

Dimensions: Scri11,LED7190lm8tw,DA,L3088,surf



It is mandatory that the assembly instructions must be observed when planning and installing the electrical installation (to be found at [www.siteco.com](http://www.siteco.com))

Tolerances related to thermal, electrical and photometric data according to IEC 62722

Issued 27.09.2024 - Modifications and errors subject to change - Ensure that you always use the latest version -

Order No.: 5MZ214D0TWA | GTIN (EAN): 4058352124062

Planning data: Scri11,LED7190lm8tw,DA,L3088,surf

**5MZ214D0TWA: 1x LED**  
**3000K+6500K / CRI ≥ 80;**  
**individual setting: colour**  
**temperature 3000K**

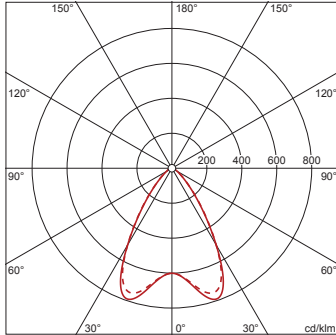
**5MZ214D0TWA: 1x LED**  
**3000K+6500K / CRI ≥ 80;**  
**individual setting: colour**  
**temperature 6500K**

4058352124062

5MZ214D0TWA

LED 3000K + 6500K / CRI ≥ 80

φ<sub>N</sub> 7190 lm



φ<sub>d</sub> 100% φ<sub>t</sub> 0%

Luminance values (cd/m<sup>2</sup>)

	C 0/180	C 90/270
L <sub>80</sub>	1464	1494
L <sub>70</sub>	1853	1882
L <sub>65</sub>	2019	2125

UGR 16.2 16.4

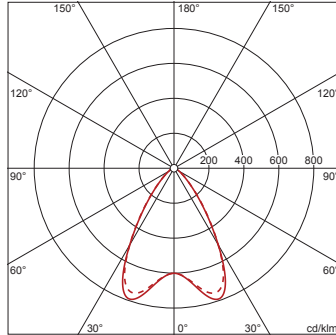
X 4H Y 8H ρ 70/50/20 S 0.25H

4058352124062

5MZ214D0TWA

LED 3000K + 6500K / CRI ≥ 80

φ<sub>N</sub> 7190 lm



φ<sub>d</sub> 100% φ<sub>t</sub> 0%

Luminance values (cd/m<sup>2</sup>)

	C 0/180	C 90/270
L <sub>80</sub>	1464	1494
L <sub>70</sub>	1853	1882
L <sub>65</sub>	2019	2125

UGR 16.2 16.4

X 4H Y 8H ρ 70/50/20 S 0.25H