

Order No.: 5MZ314D04WA | **GTIN (EAN):** 4058352067789

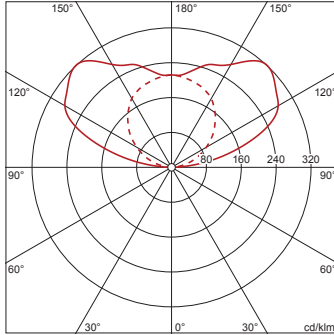
Product description: Scri11,LED16060lm840,DA,L3088,sp



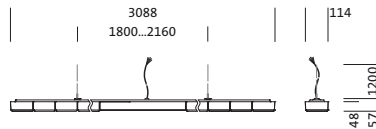
Scriptus® 11, office luminaire, primary optical cover: lenses, CAT 2 ($L \leq 3000 \text{cd/m}^2$), light emission: direct/indirect distribution, primary light characteristic: symmetric, installation type: suspended mounting, LED, rated luminous flux: 16.060lm, luminous efficacy: 133lm/W, light colour: 840, colour temperature: 4000K, control gear: ECG DALI, with terminal, 5-pole, mains connection: 230V, AC, 50Hz, rated input power: 120W, LED, control gear: ECG DALI, housing, luminaire housing, of aluminium, traffic white (RAL 9016), length: 3.088mm, width: 114mm, height: 57mm, protection rating (complete): IP20, insulation class (complete): insulation class I (protective earthing), certification: CE, ENEC, VDE, protection symbol: F, permissible operating ambient temperature: 0..+35°C, standard: EN 50419, packaging unit: 1 piece

4058352067789
5MZ314D04WA

LED 4000K / CRI ≥ 80 ϕ_{N} 6430 lm



Lamps:	LED
Lamps 2:	LED
Wt. (kg):	10.4
GTIN (EAN):	4058352067789



It is mandatory that the assembly instructions must be observed when planning and installing the electrical installation (to be found at www.siteco.com)

Tolerances related to thermal, electrical and photometric data according to IEC 62722

Issued 08.09.2023 - Modifications and errors subject to change - Ensure that you always use the latest version -

Order No.: 5MZ314D04WA | GTIN (EAN): 4058352067789

Detailed technical description: Scri11,LED16060lm840,DA,L3088,sp



Key data

- Product type: office luminaire
- Product name: Scriptus® 11
- Order No.: 5MZ314D04WA

Lighting technology | Lamps | Control gear

Component 1

Lighting technology:

- Cover: lenses
- Symmetry: symmetric
- Light emission: direct/indirect distribution
- UGR viewing direction along longitudinal luminaire axis: ≤ 19
- UGR viewing direction along lateral luminaire axis: ≤ 19

Lamps:

- Lamps: with LED

Operating device:

- Control gear: ECG DALI

Component 2

Certificates, Standards

- Protection rating: IP20
- Insulation class: insulation class I (protective earthing)
- Protection symbol: F
- Temperature range (operation): 0..+35°C
- Standard: EN 50419
- Certification, designation: CE, ENEC, VDE

Material, Colour

- housing: aluminium, traffic white (RAL 9016)
- luminaire housing: aluminium, traffic white (RAL 9016)
- Colour specification: traffic white (RAL 9016)
- Cover: lenses

Mounting

- Mounting method, mounting location: suspended mounting, to wire
- Arrangement: single arrangement

Electrical connection

- Connection: terminal, 5-pole
- Nominal voltage: 230V, 230..240V, 50Hz, AC

Dimensions, Weight

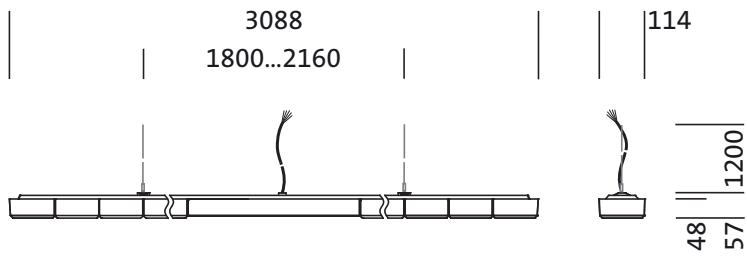
- Length: 3088mm
- Width: 114mm
- Height: 57mm
- Weight: 10.4kg

Service life

- Rated service life: 50000h (L85/B50) at AT = 25°C, 50000h (L80/B10) at AT = 25°C

Order No.: 5MZ314D04WA | GTIN (EAN): 4058352067789

Dimensions: Scri11,LED16060lm840,DA,L3088,sp



It is mandatory that the assembly instructions must be observed when planning and installing the electrical installation (to be found at www.siteco.com)

Tolerances related to thermal, electrical and photometric data according to IEC 62722

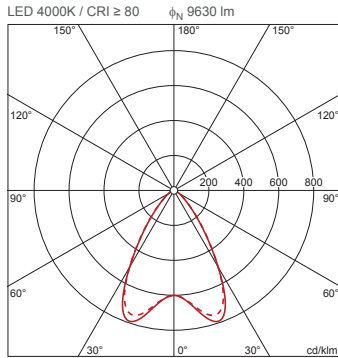
Issued 08.09.2023 - Modifications and errors subject to change - Ensure that you always use the latest version -

Order No.: 5MZ314D04WA | GTIN (EAN): 4058352067789

Planning data: Scri11,LED16060lm840,DA,L3088,sp

**5MZ314D04WA: 1x LED
4000K / CRI ≥ 80; individual
setting: only direct light**

4058352067789
5MZ314D04WA



ϕ_{\downarrow} 100% ϕ_{\uparrow} 0%

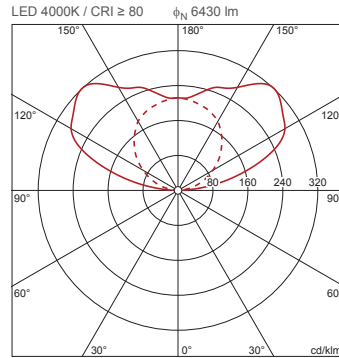
Luminance values (cd/m²)

	C 0/180	C 90/270
L ₈₀	1960	2001
L ₇₀	2482	2520
L ₆₅	2704	2845

UGR 17.2 17.4
X 4H Y 8H ρ 70/50/20 S 0.25H

**5MZ314D04WA: 1x LED
4000K / CRI ≥ 80; individual
setting: only indirect light**

4058352067789
5MZ314D04WA



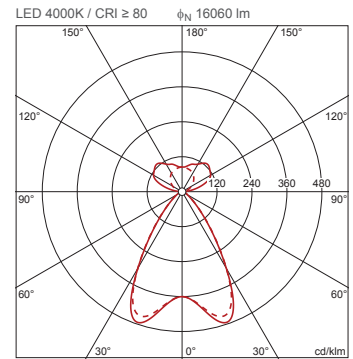
ϕ_{\downarrow} 0% ϕ_{\uparrow} 100%

Luminance values (cd/m²)

	C 0/180	C 90/270
L ₈₀	0	0
L ₇₀	0	0
L ₆₅	0	0

**5MZ314D04WA: 1x LED
4000K / CRI ≥ 80; factory
setting: direct and indirect
light**

4058352067789
5MZ314D04WA



ϕ_{\downarrow} 60% ϕ_{\uparrow} 40%

Luminance values (cd/m²)

	C 0/180	C 90/270
L ₈₀	1960	2001
L ₇₀	2482	2521
L ₆₅	2704	2846

UGR 14.1 14.2
X 4H Y 8H ρ 70/50/20 S 0.25H

It is mandatory that the assembly instructions must be observed when planning and installing the electrical installation (to be found at www.siteco.com)

Tolerances related to thermal, electrical and photometric data according to IEC 62722

Issued 08.09.2023 - Modifications and errors subject to change - Ensure that you always use the latest version -