

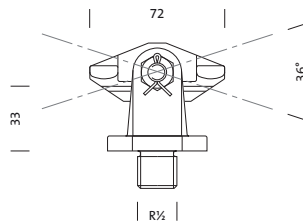
Order No.: 5NA18100XA08 | GTIN (EAN): 4039806084088

Product description: SL10DL50mdDL50mn,wirehang,alu



Streetlight 10DL® 50 midiDL® 50 mini, wire hanger, wire hanger, of diecast aluminium, coated, Siteco® metallic grey (DB 702S), one swivel axis, packaging unit: 1 piece

Wt. (kg): 0.5
GTIN (EAN): 4039806084088



Order No.: 5NA18100XA08 | GTIN (EAN): 4039806084088

Detailed technical description: SL10DL50mdDL50mn,wirehang,alu



Key data

- Product type: wire hanger
- Product name: Streetlight 10, DL® 50 midi, DL® 50 mini
- Order No.: 5NA18100XA08

Material, Colour

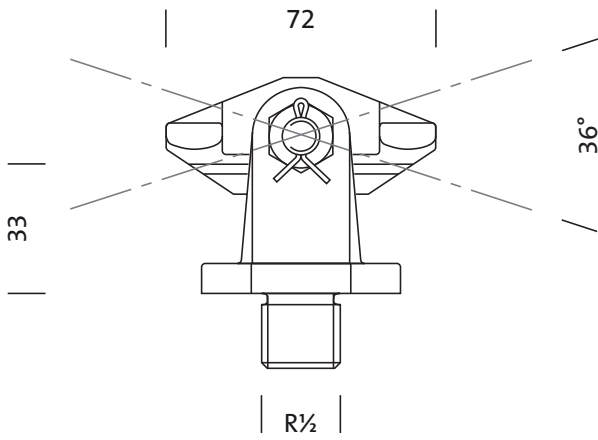
- wire hanger: diecast aluminium, coated, Siteco® metallic grey (DB 702S), one swivel axis
- Colour specification: Siteco® metallic grey (DB 702S)

Dimensions, Weight

- Weight: 0.5kg

Order No.: 5NA18100XA08 | GTIN (EAN): 4039806084088

Dimensions: SL10DL50mdDL50mn,wirehang,alu



It is mandatory that the assembly instructions must be observed when planning and installing the electrical installation (to be found at www.siteco.com)

Tolerances related to thermal, electrical and photometric data according to IEC 62722

Issued 15.12.2023 - Modifications and errors subject to change - Ensure that you always use the latest version -