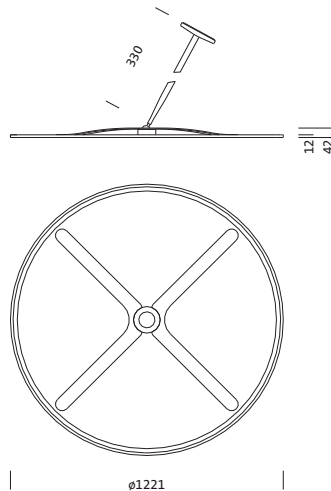


Order No.: 5NW13991KC | GTIN (EAN): 4039806449634

Product description: SMI,1200,fresn-refl100,PMMA,alu,spec

secondary reflector, for Siteco Mirrortec® Indoor, ball-and-socket joint pendant suspension, housing, circular, of aluminium, coated, metallic grey (RAL 9006), fresnel reflector 100, of PMMA, aluminized, highly specular, light point resolution, fresnel structure, diameter: 1.200 mm

Wt. (kg): 13.8
GTIN (EAN): 4039806449634



It is mandatory that the assembly instructions must be observed when planning and installing the electrical installation (to be found at www.siteco.com)

Tolerances related to thermal, electrical and photometric data according to IEC 62722

Issued 24.02.2023 - Modifications and errors subject to change - Ensure that you always use the latest version -

Order No.: 5NW13991KC | GTIN (EAN): 4039806449634

Detailed technical description: SMI,1200,fresn-refl100,PMMA,alu,spec

Key data

- Product type: secondary reflector
- Product name: Siteco Mirrortec® Indoor
- Order No.: 5NW13991KC

Lighting technology | Lamps | Control gear

Component 2

Lighting technology:

- Light control: fresnel reflector 100 of PMMA, aluminized, highly specular
- Glare reduction: light point resolution, fresnel structure
- Beam angle: narrow distribution
- Symmetry: symmetric distribution

Material, Colour

- ball-and-socket joint pendant suspension: aluminium, coated, metallic grey (RAL 9006), circular
- housing: aluminium, coated, metallic grey (RAL 9006), circular
- Colour specification: metallic grey (RAL 9006)

Mounting

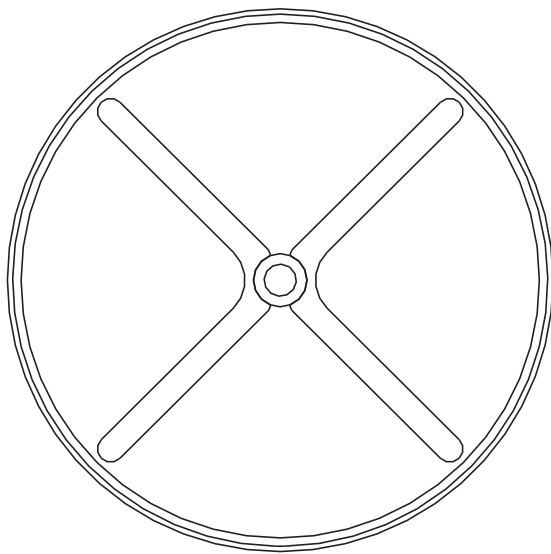
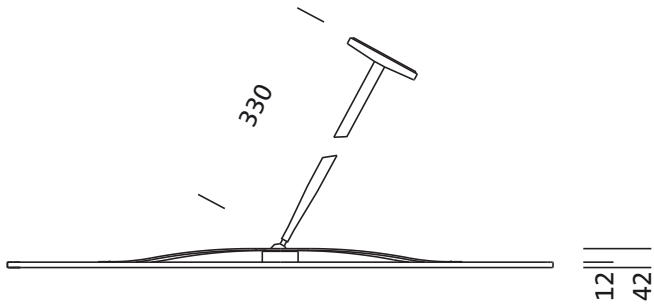
- Mounting method, mounting location: suspended mounting, to the ceiling, to the wall
- Arrangement: single arrangement

Dimensions, Weight

- Diameter: 1200mm
- Weight: 13.8kg

Order No.: 5NW13991KC | GTIN (EAN): 4039806449634

Dimensions: SMI,1200,fresn-refl100,PMMA,alu,spec



ø1221