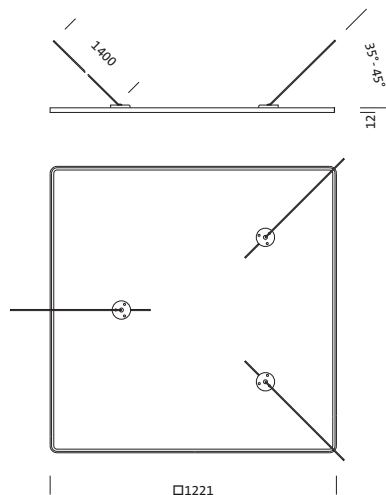


Order No.: 5NW13993QC | GTIN (EAN): 4039806449788

Product description: SMI,fresn-refl100,PMMA,alu,spec

secondary reflector, for Siteco Mirrortec® Indoor, wire hanger, housing, square, of aluminium, coated, metallic grey (RAL 9006), fresnel reflector 100, of PMMA, aluminized, highly specular, light point resolution, fresnel structure, length: 1.200 mm, width: 1.200 mm

Wt. (kg): 14.5  
GTIN (EAN): 4039806449788



It is mandatory that the assembly instructions must be observed when planning and installing the electrical installation (to be found at [www.siteco.com](http://www.siteco.com))

Tolerances related to thermal, electrical and photometric data according to IEC 62722

Issued 24.02.2023 - Modifications and errors subject to change - Ensure that you always use the latest version -

Order No.: 5NW13993QC | GTIN (EAN): 4039806449788

Detailed technical description: SMI,fresn-refl100,PMMA,alu,spec

#### Key data

- Product type: secondary reflector
- Product name: Siteco Mirrortec® Indoor
- Order No.: 5NW13993QC

#### Lighting technology | Lamps | Control gear

#### Component 2

#### Lighting technology:

- Light control: fresnel reflector 100 of PMMA, aluminized, highly specular
- Glare reduction: light point resolution, fresnel structure
- Beam angle: narrow distribution
- Symmetry: symmetric distribution

#### Material, Colour

- wire hanger: aluminium, coated, metallic grey (RAL 9006), square
- housing: aluminium, coated, metallic grey (RAL 9006), square
- Colour specification: metallic grey (RAL 9006)

#### Mounting

- Mounting method, mounting location: suspended mounting, to the ceiling
- Arrangement: single arrangement

#### Dimensions, Weight

- Length: 1200mm
- Width: 1200mm
- Weight: 14.5kg

Order No.: 5NW13993QC | GTIN (EAN): 4039806449788

Dimensions: SMI,fresn-refl100,PMMA,alu,spec

