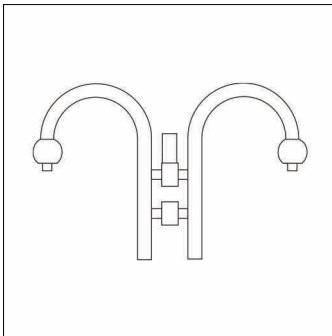


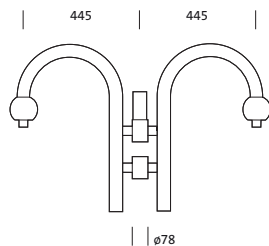
Order No.: 5NY15722XA08 | GTIN (EAN): 4039806215536

Product description: SmBell,curv.m-extØ76,2arm,coat,DB702S



Small Bell, curved mast extension, curved mast extension, offset, of steel, galvanised, coated, SITECO metallic grey (DB 702S), 2-arm, with bayonet catch, bayonet catch allows rapid, tool-free mounting of Bell to curved mast, diameter: 76mm, height: 829mm, spigot size: 76mm (post-top), packaging unit: 1 piece

Wt. (kg): 9.3
GTIN (EAN): 4039806215536



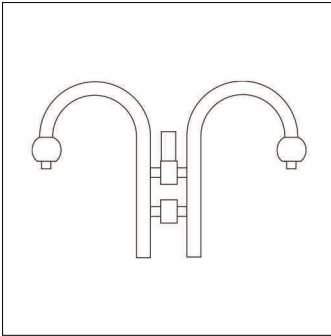
It is mandatory that the assembly instructions must be observed when planning and installing the electrical installation (to be found at www.siteco.com)

Tolerances related to thermal, electrical and photometric data according to IEC 62722

Issued 13.03.2026 - Modifications and errors subject to change - Ensure that you always use the latest version -

Order No.: 5NY15722XA08 | GTIN (EAN): 4039806215536

Detailed technical description: SmBell,curv.m-extØ76,2arm,coat,DB702S



Key data

- Product type: curved mast extension
- Product name: Small Bell
- Order No.: 5NY15722XA08

Material, Colour

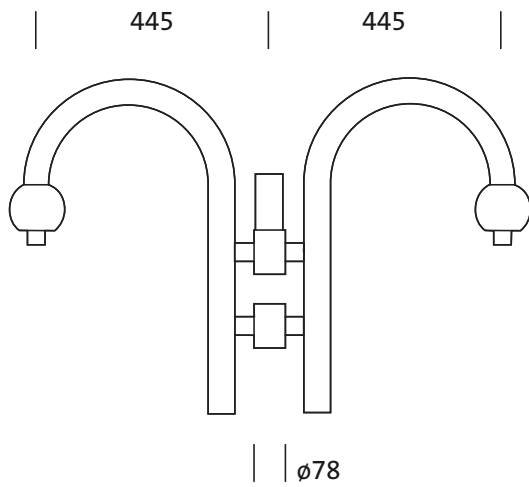
- curved mast extension, offset: steel, galvanised, coated, SITECO metallic grey (DB 702S), with bayonet catch

Dimensions, Weight

- Diameter: 76mm
- Height: 829mm
- Weight: 9.3kg
- Mast spigot: spigot size: 76mm

Order No.: 5NY15722XA08 | GTIN (EAN): 4039806215536

Dimensions: SmBell,curv.m-extØ76,2arm,coat,DB702S



It is mandatory that the assembly instructions must be observed when planning and installing the electrical installation (to be found at www.siteco.com)

Tolerances related to thermal, electrical and photometric data according to IEC 62722

Issued 13.03.2026 - Modifications and errors subject to change - Ensure that you always use the latest version -