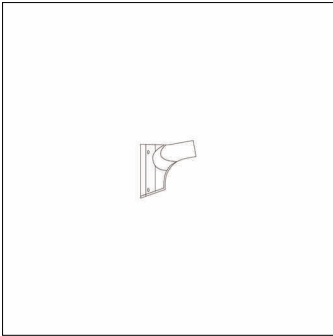


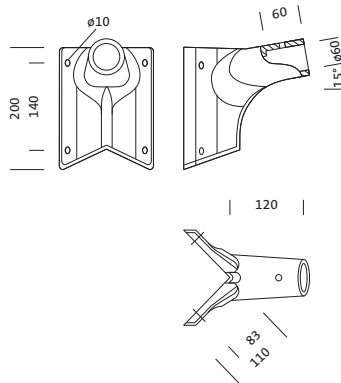
Order No.: 5NY51031 | GTIN (EAN): 4039806199676

Product description: cornerflØ60,coat,gy



corner flange, corner flange, of diecast aluminium, coated, light grey (RAL 7035), packaging unit: 1 piece

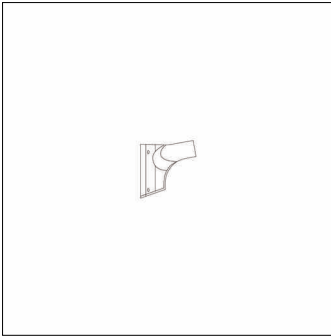
Wt. (kg): 0.9
GTIN (EAN): 4039806199676



It is mandatory that the assembly instructions must be observed when planning and installing the electrical installation (to be found at www.siteco.com)
Tolerances related to thermal, electrical and photometric data according to IEC 62722
Issued 24.02.2023 - Modifications and errors subject to change - Ensure that you always use the latest version -

Order No.: 5NY51031 | GTIN (EAN): 4039806199676

Detailed technical description: cornerflØ60,coat,gy



Key data

- Product type: corner flange
- Product name: without family assignment
- Order No.: 5NY51031

Material, Colour

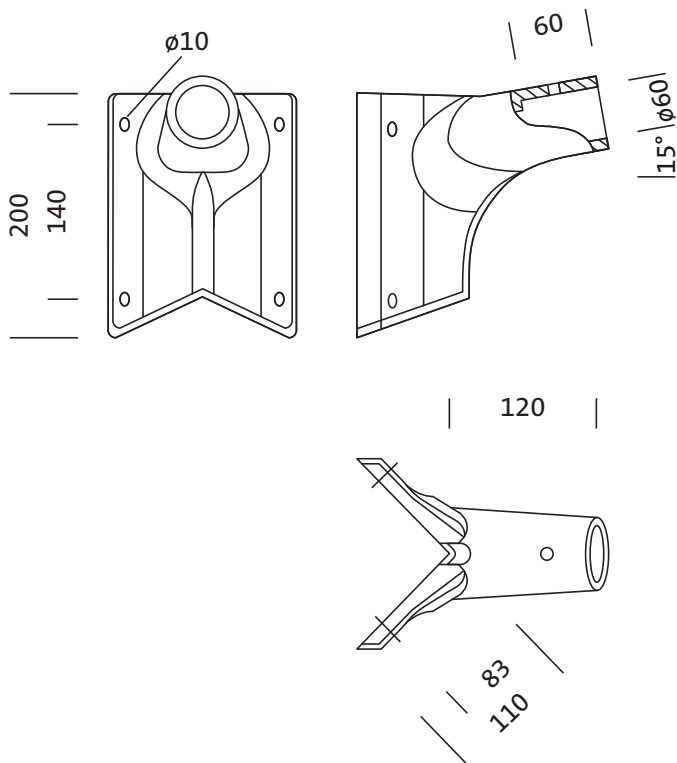
- corner flange: diecast aluminium, coated, light grey (RAL 7035)
- Colour specification: light grey (RAL 7035)

Dimensions, Weight

- Weight: 0.9kg

Order No.: 5NY51031 | GTIN (EAN): 4039806199676

Dimensions: cornerflØ60,coat,gy



It is mandatory that the assembly instructions must be observed when planning and installing the electrical installation (to be found at www.siteco.com)

Tolerances related to thermal, electrical and photometric data according to IEC 62722

Issued 24.02.2023 - Modifications and errors subject to change - Ensure that you always use the latest version -