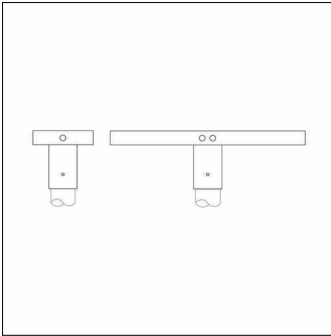


**Order No.:** 5NY74901XA21 | **GTIN (EAN):** 4039806383426

**Product description:** cross-arm,1f,Ø89,galv.st

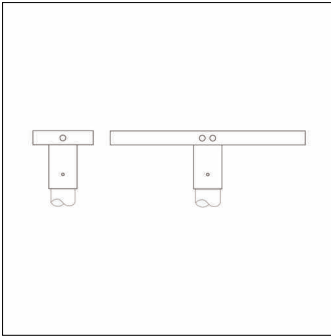


MAXI floodlight/projector, mounting components group, cross-arm for 1 floodlight, of steel, galvanised, type 1: post-top, length: 150mm, spigot size: 89mm, packaging unit: 1 piece

Wt. (kg): 2.1  
GTIN (EAN): 4039806383426

Order No.: 5NY74901XA21 | GTIN (EAN): 4039806383426

Detailed technical description: cross-arm, 1f, Ø89, galv.st



#### Key data

- Product type: mounting components group
- Product name: MAXI floodlight/projector
- Order No.: 5NY74901XA21

#### Material, Colour

- cross-arm for 1 floodlight: steel, galvanised
- Quantity: 1 piece

#### Dimensions, Weight

- Length: 150mm
- Weight: 2.1kg
- Mast spigot: spigot size: 89mm