

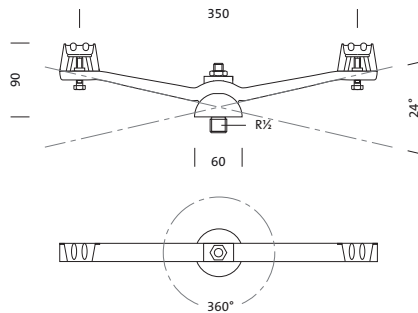
Order No.: 5NY900408 | GTIN (EAN): 4039806204271

Product description: SL10DL50mdDL50mn,ts.wir.hang,alu



Streetlight 10DL 50 midiDL 50 mini, tension wire hanger, wire hanger, of cast aluminium, coated, SITECO metallic grey (DB 702S), one swivel and one rotary axis, packaging unit: 1 piece

Wt. (kg): 0.6
GTIN (EAN): 4039806204271



It is mandatory that the assembly instructions must be observed when planning and installing the electrical installation (to be found at www.siteco.com)
Tolerances related to thermal, electrical and photometric data according to IEC 62722
Issued 23.05.2026 - Modifications and errors subject to change - Ensure that you always use the latest version -

Order No.: 5NY900408 | GTIN (EAN): 4039806204271

Detailed technical description: SL10DL50mdDL50mn,ts.wir.hang,alu



Key data

- Product type: tension wire hanger
- Product name: Streetlight 10, DL 50 midi, DL 50 mini
- Order No.: 5NY900408

Material, Colour

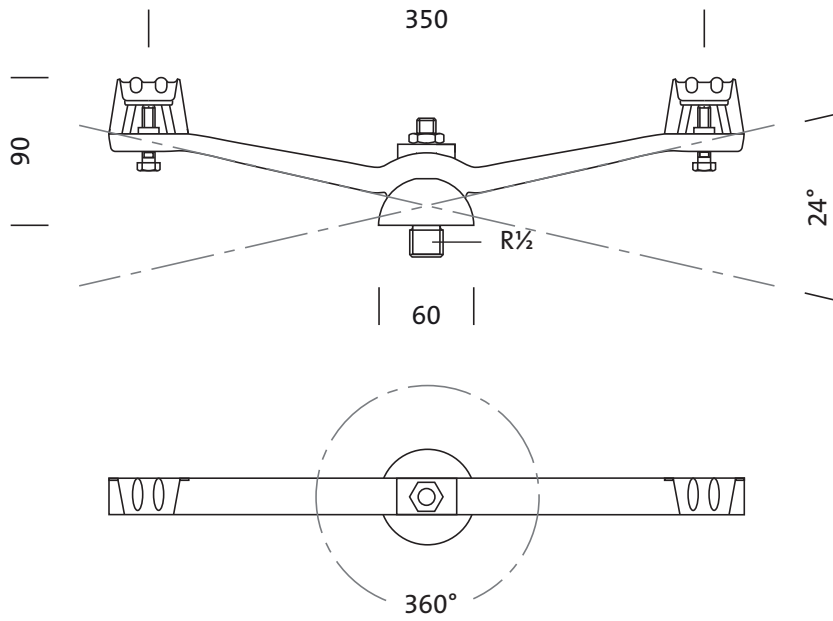
- wire hanger: cast aluminium, coated, SITECO metallic grey (DB 702S), one swivel and one rotary axis

Dimensions, Weight

- Weight: 0.6kg

Order No.: 5NY900408 | GTIN (EAN): 4039806204271

Dimensions: SL10DL50mdDL50mn,ts.wir.hang,alu



It is mandatory that the assembly instructions must be observed when planning and installing the electrical installation (to be found at www.siteco.com)

Tolerances related to thermal, electrical and photometric data according to IEC 62722

Issued 23.05.2026 - Modifications and errors subject to change - Ensure that you always use the latest version -