

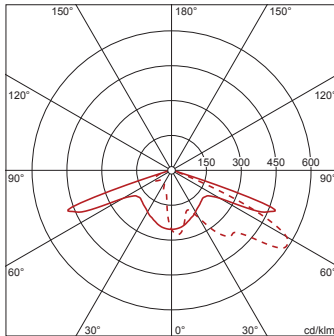
Order No.: 5XA7682E1D4AC | GTIN (EAN): 4058352223215

Product description: FL20md,PL52,21030lm830,PlusDA,mastad



4058352223215
5XA7682E1D4AC

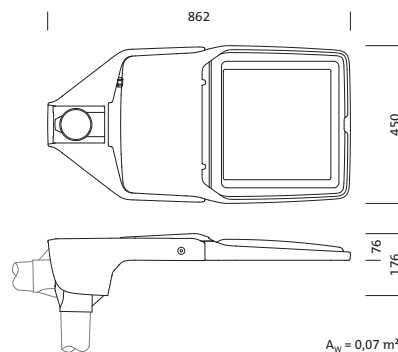
LED 3000K / CRI ≥ 80 Φ_{lm} 21030 lm



Floodlight FL 20 midi, floodlight, primary light control with lens, of plastic, primary optical cover: protective disc, of toughened safety glass, transparent, light distribution: PL52, light emission: direct distribution, primary light characteristic: asymmetric, installation type: side-entry, post-top, LED, High Power LED, rated luminous flux: 21.030lm, luminous efficacy: 101lm/W, light colour: 830, colour temperature: 3000K, control gear: ECG Plus, control: flexible luminous flux parameterisation, time-dependent luminous flux control, digital communication interface, overheat protection, power reduction, electronic power reduction, with terminal, 5-pole, max. 2.5mm², mains connection: 220..240V, AC, 50/60Hz, rated input power: 208W, LED unit, of diecast aluminium, powder-coated, Siteco® metallic grey (DB 702S), corrosivity category C5 mid according to DIN EN ISO 12944, please order mast flange separately, incl. 1x M20 cable gland for cable Ø 6.5..12mm, inclination adjustable: 0°, 3°, 8°, 15°, length: 862mm, width: 450mm, height: 176mm, housing frame, of diecast aluminium, powder-coated, Siteco® metallic grey (DB 702S), mast flange adapter, of diecast aluminium, powder-coated, Siteco® metallic grey (DB 702S), DALI, protection rating (complete): IP66, insulation class (complete): insulation class II (safety insulation), certification: CE, ENEC, VDE, protection symbol: D, permissible operating ambient temperature: -40..+40°C, permissible operating ambient temperature for outdoor applications: -40..+50°C, standard: DIN EN 12944, packaging unit: 1 piece



Lamps: LED
Wt. (kg): 16.5
GTIN (EAN): 4058352223215



It is mandatory that the assembly instructions must be observed when planning and installing the electrical installation (to be found at www.siteco.com)

Tolerances related to thermal, electrical and photometric data according to IEC 62722

Issued 13.04.2024 - Modifications and errors subject to change - Ensure that you always use the latest version -

Order No.: 5XA7682E1D4AC | GTIN (EAN): 4058352223215

Detailed technical description: FL20md,PL52,21030lm830,PlusDA,mastad



Key data

- Product type: floodlight
- Product name: Floodlight FL 20 midi
- Order No.: 5XA7682E1D4AC

Lighting technology | Lamps | Control gear

Component 1

Lighting technology:

- Light control: lens of plastic
- Cover: protective disc, transparent
- Light distribution: PL52
- Symmetry: asymmetric distribution
- Light emission: direct distribution

Lamps:

- Lamps: with High Power LED, LED
- Rated luminous flux: 21030lm
- Luminous efficacy: 101lm/W
- Colour temperature: 3000K
- Colour rendering index: CRI > 80
- Light colour: 830
- Rated input power: 208W

Operating device:

- Control gear: ECG Plus
- Control: Plus/DALI
- Equipment: overheat protection, power reduction, digital communication interface, time-dependent luminous flux control, flexible luminous flux parameterisation
- Switching method: electronic power reduction

Certificates, Standards

- Protection rating: IP66
- Insulation class: insulation class II (safety insulation)
- Protection symbol: D
- Temperature range (operation): -40..+40°C
- Standard: DIN EN 12944
- Corrosion protection: corrosivity category C5 mid according to DIN EN ISO 12944
- Certification, designation: CE, ENEC, VDE

Material, Colour

- LED unit: diecast aluminium, powder-coated, Siteco® metallic grey (DB 702S), please order mast flange separately, inclination adjustable: 0°, 3°, 8°, 15°, incl. 1x M20 cable gland for cable Ø 6.5..12mm
- Colour specification: Siteco® metallic grey (DB 702S)
- housing frame: diecast aluminium, powder-coated, Siteco® metallic grey (DB 702S)
- Colour specification: Siteco® metallic grey (DB 702S)
- mast flange adapter: diecast aluminium, powder-coated, Siteco® metallic grey (DB 702S)
- Colour specification: Siteco® metallic grey (DB 702S)
- Cover: protective disc of toughened safety glass

Mounting

- Mounting method, mounting location: side-entry, post-top, to mast, to mast bracket
- Arrangement: single arrangement
- Supplement: with mast flange adapter

Electrical connection

- Connection: terminal, 5-pole, max. 2.5mm²
- Nominal voltage: 220..240V, 50/60Hz, AC
- Surge voltage resistance: 10kV 1.2/50µs

Dimensions, Weight

- Length: 862mm
- Width: 450mm
- Height: 176mm
- Weight: 16.5kg

Light emission

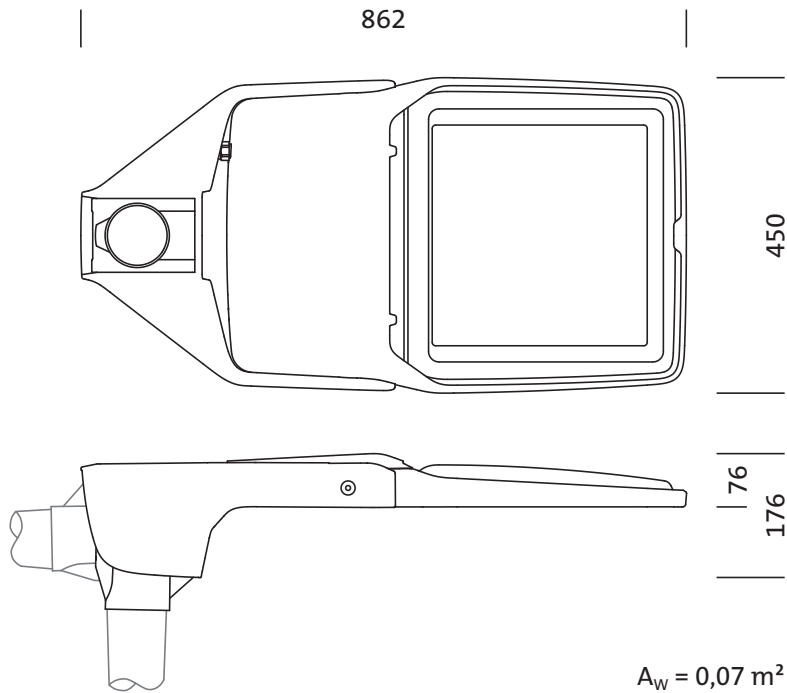
- Light emission: 0% at 0° inclination

Service life

- Rated service life: 100000h (L97/B10) at AT = 25°C, 50000h (L98/B10) at AT = 25°C

Order No.: 5XA7682E1D4AC | GTIN (EAN): 4058352223215

Dimensions: FL20md,PL52,21030lm830,PlusDA,mastad



$A_w = 0,07 \text{ m}^2$

Order No.: 5XA7682E1D4AC | GTIN (EAN): 4058352223215

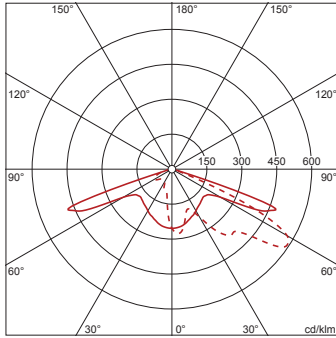
Planning data: FL20md,PL52,21030lm830,PlusDA,mastad

5XA7682E1D4AC: 1x LED
3000K / CRI \geq 80

4058352223215

5XA7682E1D4AC

LED 3000K / CRI \geq 80 Φ_{N} 21030 lm



— C 0/180 - - - C 90/270

Luminous intensity class according to
EN13201-2: G3

It is mandatory that the assembly instructions must be observed when planning and installing the electrical installation (to be found at www.siteco.com)

Tolerances related to thermal, electrical and photometric data according to IEC 62722

Issued 13.04.2024 - Modifications and errors subject to change - Ensure that you always use the latest version -