

**Order No.:** 5XA7682G3H2AC | **GTIN (EAN):** 4058352223734

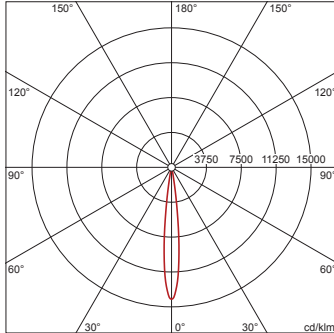
**Product description:** FL20md,RS05,39000lm750,PlusDA,wall-fast



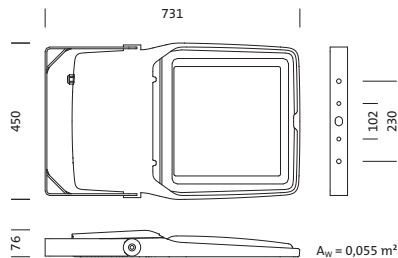
Floodlight FL 20 midi, floodlight, primary light control with lens, of plastic, primary optical cover: protective disc, of toughened safety glass, transparent, light distribution: RS05, light emission: direct distribution, primary light characteristic: rotationally symmetric, installation type: surface-mounted, LED, High Power LED, rated luminous flux: 39.000lm, luminous efficacy: 128lm/W, light colour: 750, colour temperature: 5000K, control gear: ECG Plus, control: overheat protection, power reduction, digital communication interface, time-dependent luminous flux control, flexible luminous flux parameterisation, electronic power reduction, with terminal, 10-pole, max. 2.5mm<sup>2</sup>, mains connection: 220..240V, AC, 50/60Hz, rated input power: 306W, LED unit, of diecast aluminium, powder-coated, Siteco® metallic grey (DB 702S), corrosivity category C5 mid according to DIN EN ISO 12944, length: 731mm, width: 450mm, height: 76mm, housing frame, of diecast aluminium, powder-coated, Siteco® metallic grey (DB 702S), wall fastening, DALI, protection rating (complete): IP66, insulation class (complete): insulation class II (safety insulation), certification: CE, ENEC, VDE, protection symbol: D, permissible operating ambient temperature: -40..+40°C, permissible operating ambient temperature for outdoor applications: -40..+50°C, standard: DIN EN 12944, packaging unit: 1 piece

4058352223734  
5XA7682G3H2AC

LED 5000K / CRI ≥ 70    Φ<sub>h</sub> 39000 lm



Lamps: LED  
Wt. (kg): 16.5  
GTIN (EAN): 4058352223734



It is mandatory that the assembly instructions must be observed when planning and installing the electrical installation (to be found at [www.siteco.com](http://www.siteco.com))

Tolerances related to thermal, electrical and photometric data according to IEC 62722

Issued 13.04.2024 - Modifications and errors subject to change - Ensure that you always use the latest version -

Order No.: 5XA7682G3H2AC | GTIN (EAN): 4058352223734

Detailed technical description: FL20md,RS05,39000lm750,PlusDA,wall-fast



#### Key data

- Product type: floodlight
- Product name: Floodlight FL 20 midi
- Order No.: 5XA7682G3H2AC

#### Lighting technology | Lamps | Control gear

##### Component 1

#### Lighting technology:

- Light control: lens of plastic
- Cover: protective disc, transparent
- Light distribution: RS05
- Symmetry: rotationally symmetric
- Light emission: direct distribution

#### Lamps:

- Lamps: with High Power LED, LED
- Rated luminous flux: 39000lm
- Luminous efficacy: 128lm/W
- Colour temperature: 5000K
- Colour rendering index: CRI > 70
- Light colour: 750
- Rated input power: 306W

#### Operating device:

- Control gear: ECG Plus
- Control: Plus/DALI
- Equipment: overheat protection, power reduction, digital communication interface, time-dependent luminous flux control, flexible luminous flux parameterisation
- Switching method: electronic power reduction

#### Certificates, Standards

- Protection rating: IP66
- Insulation class: insulation class II (safety insulation)
- Protection symbol: D
- Temperature range (operation): -40..+40°C
- Standard: DIN EN 12944
- Corrosion protection: corrosivity category C5 mid according to DIN EN ISO 12944
- Certification, designation: CE, ENEC, VDE

#### Material, Colour

- LED unit: diecast aluminium, powder-coated, Siteco® metallic grey (DB 702S)
- Colour specification: Siteco® metallic grey (DB 702S)
- housing frame: diecast aluminium, powder-coated, Siteco® metallic grey (DB 702S)
- Colour specification: Siteco® metallic grey (DB 702S)
- Cover: protective disc of toughened safety glass

#### Mounting

- Mounting method, mounting location: surface-mounted, to supporting structure, to the cross arm
- Arrangement: single arrangement
- Supplement: with mounting bracket

#### Electrical connection

- Connection: terminal, 10-pole, max. 2.5mm<sup>2</sup>
- Nominal voltage: 220..240V, 50/60Hz, AC
- Surge voltage resistance: 10kV 1.2/50µs

#### Dimensions, Weight

- Length: 731mm
- Width: 450mm
- Height: 76mm
- Weight: 16.5kg

#### Light emission

- Light emission: 0% at 0° inclination

#### Service life

- Rated service life: 50000h (L97/B10) at AT = 25°C

Order No.: 5XA7682G3H2AC | GTIN (EAN): 4058352223734

Dimensions: FL20md,RS05,39000lm750,PlusDA,wall-fast

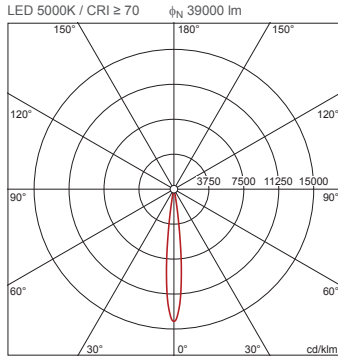


**Order No.:** 5XA7682G3H2AC | **GTIN (EAN):** 4058352223734

**Planning data:** FL20md,RS05,39000lm750,PlusDA,wall-fast

**5XA7682G3H2AC: 1x LED**  
**5000K / CRI ≥ 70**

4058352223734  
 5XA7682G3H2AC



— C 0/180      - - - C 90/270

Luminous intensity class according to  
 EN13201-2: G6

H(m)	$\varnothing$ (m)	E <sub>max</sub> (lx)	E <sub>m</sub> (lx)
4	0.87	38227	30813
8	1.74	9557	7703
12	2.61	4247	3424
16	3.48	2389	1926
20	4.35	1529	1233

It is mandatory that the assembly instructions must be observed when planning and installing the electrical installation (to be found at [www.siteco.com](http://www.siteco.com))  
 Tolerances related to thermal, electrical and photometric data according to IEC 62722  
 Issued 13.04.2024 - Modifications and errors subject to change - Ensure that you always use the latest version -