

**Order No.:** 56TL3UN00A | **GTIN (EAN):** 4058352467367

**Product description:** SConIPG1rail-ins



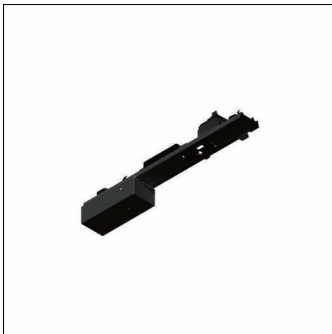
SITECO Connect IP Gen.1, rail insert, PoE universal adapter, with plug, 6-pole, with phase selection, mains connection: 230V, AC, 50Hz, adapter, of sheet steel, coil coated, jet black (RAL 9005), length: 500mm, width: 64mm, height: 65mm, protection rating (complete): IP40, insulation class (complete): insulation class I (protective earthing), certification: CE, UKCA, packaging unit: 1 piece

IP 40  

Wt. (kg): 1.5  
GTIN (EAN): 4058352467367

Order No.: 56TL3UN00A | GTIN (EAN): 4058352467367

Detailed technical description: SConIPG1rail-ins



#### Key data

- Product type: rail insert
- Product name: SITECO Connect IP Gen.1
- Order No.: 56TL3UN00A

#### Lighting technology | Lamps | Control gear

#### Component 1

#### Lamps:

- Supplement: halogen-free wiring

#### Certificates, Standards

- Protection rating: IP40
- Insulation class: insulation class I (protective earthing)
- Certification, designation: CE, UKCA

#### Material, Colour

- adapter: sheet steel, coil coated, jet black (RAL 9005)
- Colour specification: jet black (RAL 9005)

#### Mounting

- Supplement: only suitable for indoor use

#### Electrical connection

- Connection: plug, 6-pole, with phase selection
- Nominal voltage: 230V, 50Hz, AC

#### Dimensions, Weight

- Length: 500mm
- Width: 64mm
- Height: 65mm
- Weight: 1.5kg