

**Order No.:** 51MQ14WD2T12 | **GTIN (EAN):** 4058352390610

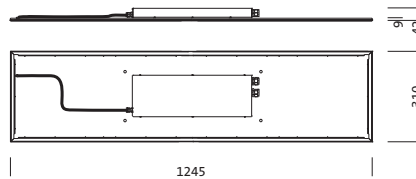
**Product description:** Apollon<sup>®</sup> 21, 1245x307, 4200lm8tw, DT8, 5p



Apollon<sup>®</sup> 21 linear, office luminaire, primary optical cover: micro prismatic cover, of PMMA, CAT 2 ( $L \leq 3000 \text{cd/m}^2$ ), light emission: direct distribution, primary light characteristic: symmetric, installation type: lay-in mounting, LED, rated luminous flux: 4.200lm, luminous efficacy: 96lm/W, light colour: 8tw, colour temperature: 2700..6500K, with terminal, 5-pole, mains connection: 220..240V, AC, 50/60Hz, rated input power: 44W, housing, of aluminium, coated, pure white, length: 1.245mm, width: 307mm, height: 30mm, housing upper side, of sheet steel, galvanised, protection rating (complete): IP20, protection rating (lamp compartment, on room side): IP50, insulation class (complete): insulation class I (protective earthing), certification: CE, ENEC, packaging unit: 1 piece



Lamps:	LED
Wt. (kg):	5.4
GTIN (EAN):	4058352390610



**Order No.:** 51MQ14WD2T12 | **GTIN (EAN):** 4058352390610

**Detailed technical description:** Apol21l,1245x307,4200lm8tw,DT8,5p



#### Key data

- Product type: office luminaire
- Product name: Apollon® 21 linear
- Order No.: 51MQ14WD2T12

#### Lighting technology | Lamps | Control gear

##### Component 1

#### Lighting technology:

- Cover: micro prismatic cover
- Beam angle: wide distribution, 90°
- Symmetry: symmetric
- Light emission: direct distribution
- UGR viewing direction along longitudinal luminaire axis: ≤ 19
- UGR viewing direction along lateral luminaire axis: ≤ 19

#### Lamps:

- Lamps: with LED
- Rated luminous flux: 4200lm
- Luminous efficacy: 96lm/W
- Colour temperature: 2700..6500K
- Colour rendering index: CRI > 80
- Light colour: 8tw
- SDCM (Standard Deviation of Colour Matching): MacAdam ≤ 3 SDCM (initial)
- Rated input power: 44W

#### Operating device:

- Control: DALI DT8

#### Certificates, Standards

- Protection rating: IP20
- Protection rating (lamp compartment, on room side): IP50
- Insulation class: insulation class I (protective earthing)
- Certification, designation: CE, ENEC

#### Material, Colour

- housing: aluminium, coated, pure white
- Colour specification: pure white
- housing upper side: sheet steel, galvanised
- Cover: micro prismatic cover of PMMA

#### Mounting

- Mounting method, mounting location: lay-in mounting, in the ceiling
- Arrangement: single arrangement

#### Electrical connection

- Connection: terminal, 5-pole
- Nominal voltage: 220..240V, 50/60Hz, AC

#### Dimensions, Weight

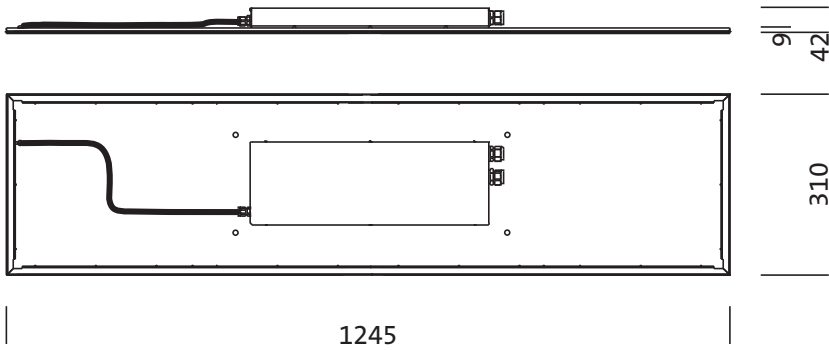
- Length: 1245mm
- Width: 307mm
- Height: 30mm
- Weight: 5.4kg

#### Service life

- Rated service life: 100000h (L80/B50) at AT = 25°C, 50000h (L90/B50) at AT = 25°C

Order No.: 51MQ14WD2T12 | GTIN (EAN): 4058352390610

Dimensions: Apol21I,1245x307,4200lm8tw,DT8,5p



It is mandatory that the assembly instructions must be observed when planning and installing the electrical installation (to be found at [www.siteco.com](http://www.siteco.com))

Tolerances related to thermal, electrical and photometric data according to IEC 62722

Issued 02.02.2024 - Modifications and errors subject to change - Ensure that you always use the latest version -