

Order No.: 59US1HXMPC1A | GTIN (EAN): 4058352363799

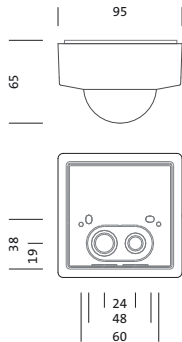
Product description: SConSHead,SensHdPC1M,lokCtrl,PIR-sens



Siteco Connect Sensor-HeadSensor-Head PC1-M, master, local control, switchable, dimmable, installation type: slip-in mounting, installation location: on interface, of plastic, protection rating (complete): IP54, certification: CE, VDE, 1 x PIR movement sensor, 1 x light sensor, 1 x IR receiver, packaging unit: 1 piece



Wt. (kg): 0.1
GTIN (EAN): 4058352363799



Order No.: 59US1HXMP1A | GTIN (EAN): 4058352363799

Detailed technical description: SConSHead,SensHdPC1M,IokCtrl,PIR-sens



Key data

- System family: SITECO Connect
- Product type: sensor
- Product name: Siteco Connect Sensor-Head
- Order No.: 59US1HXMP1A

Certificates, Standards

- Protection rating: IP54
- Temperature range (operation): -20..+50°C
- Certification, designation: CE, VDE

Material, Colour

- housing: plastic, white
- Colour specification: white

Mounting

- Mounting method, mounting location: slip-in mounting, on interface
- Mounting height: 2.5..4m

Dimensions, Weight

- Length: 95mm
- Width: 95mm
- Height: 65mm
- Weight: 0.1kg

Inputs

1x PIR movement sensor

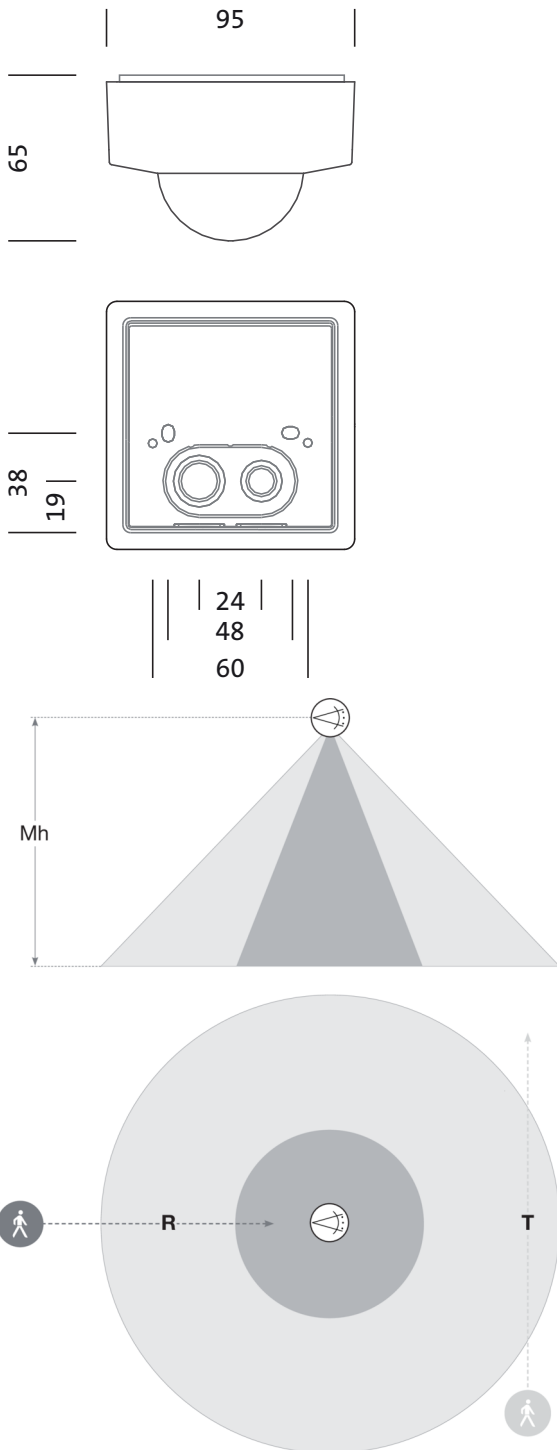
- Connection: system connector
- Detection range: D max. 40m
- Option: 11 detection levels, 1416 switching zones
- Feature: detection range can be limited with shield, circular detection area

1x IR receiver

- Feature: IR receiver for programming with Smart Remote

Order No.: 59US1HXMPC1A | GTIN (EAN): 4058352363799

Dimensions: SConSHead,SensHdPC1M,lokCtrl,PIR-sens



Sensor Head PC1

Mh	R	T
2m	ø = 11,4m	ø = 40m
3m	ø = 11,4m	ø = 40m

It is mandatory that the assembly instructions must be observed when planning and installing the electrical installation (to be found at www.siteco.com)
 Tolerances related to thermal, electrical and photometric data according to IEC 62722
 Issued 05.01.2024 - Modifications and errors subject to change - Ensure that you always use the latest version -