

Order No.: 51WC10DB34A | **GTIN (EAN):** 4058352616796

Product description: Rond31,4250lm830,DA2,PC,wh



Rondel 31, wall and ceiling luminaire, primary optical cover: cover, of PC, opal, light emission: direct distribution, primary light characteristic: symmetric, installation type: surface-mounted, LED, rated luminous flux: 4.250lm, luminous efficacy: 125lm/W, light colour: 830, colour temperature: 3000K, with terminal, 5-pole, max. 2.5mm², mains connection: 220..240V, AC, 50/60Hz, rated input power: 34W, luminaire housing, of PC, traffic white (RAL 9016), diameter: 480mm, protection rating (complete): IP65, insulation class (complete): insulation class II (safety insulation), certification: CE, impact resistance: IK10, permissible operating ambient temperature: -20..+40°C, permissible storage temperature: -20..+60°C, packaging unit: 1 piece

IP 65 IK 10  

Lamps:	LED
Wt. (kg):	3.0
GTIN (EAN):	4058352616796



Order No.: 51WC10DB34A | GTIN (EAN): 4058352616796

Detailed technical description: Rond31,4250lm830,DA2,PC,wh



Key data

- Product type: wall and ceiling luminaire
- Product name: Rondel 31
- Order No.: 51WC10DB34A

Lighting technology | Lamps | Control gear

Component 1

Lighting technology:

- Cover: cover, opal
- Beam angle: extremely wide distribution
- Symmetry: symmetric
- Light emission: direct distribution
- UGR viewing direction along longitudinal luminaire axis: ≤ 25
- UGR viewing direction along lateral luminaire axis: ≤ 25

Lamps:

- Lamps: with LED
- Rated luminous flux: 4250lm
- Luminous efficacy: 125lm/W
- Colour temperature: 3000K
- Colour rendering index: CRI > 80
- Light colour: 830
- SDCM (Standard Deviation of Colour Matching): MacAdam ≤ 4 SDCM (initial)
- Rated input power: 34W

Operating device:

- Control: DALI 2

Certificates, Standards

- Protection rating: IP65
- Insulation class: insulation class II (safety insulation)
- Impact resistance: IK10
- Temperature range (operation): -20..+40°C
- Certification, designation: CE

Material, Colour

- luminaire housing: PC, traffic white (RAL 9016)
- Colour specification: traffic white (RAL 9016)
- Cover: cover of PC

Mounting

- Mounting method, mounting location: surface-mounted, to the ceiling, to the wall

Electrical connection

- Connection: terminal, 5-pole, max. 2.5mm²
- Nominal voltage: 220..240V, 50/60Hz, AC

Dimensions, Weight

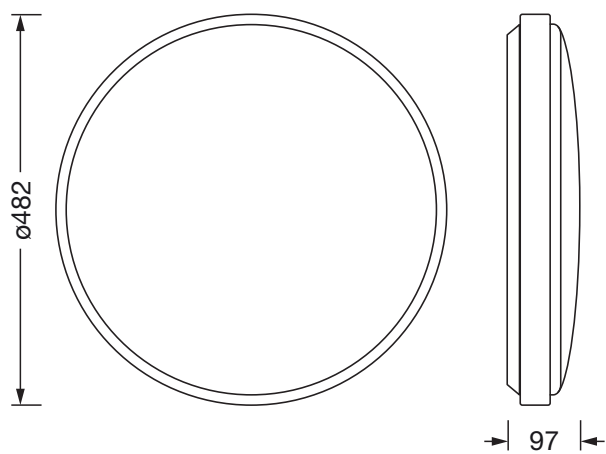
- Diameter: 480mm
- Weight: 3.0kg

Service life

- Rated service life: 50000h (L80/B50) at AT = 25°C

Order No.: 51WC10DB34A | GTIN (EAN): 4058352616796

Dimensions: Rond31,4250lm830,DA2,PC,wh



It is mandatory that the assembly instructions must be observed when planning and installing the electrical installation (to be found at www.siteco.com)

Tolerances related to thermal, electrical and photometric data according to IEC 62722

Issued 30.09.2023 - Modifications and errors subject to change - Ensure that you always use the latest version -