

Order No.: 51HLA2D14FCAD | **GTIN (EAN):** 4058352341629

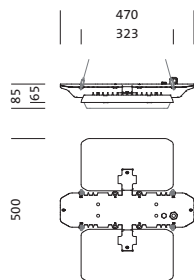
Product description: HB11,wd,14400lm840,DA



Highbay 11, LED high bay luminaire, primary light control with lens, of PMMA, light emission: direct distribution, primary light characteristic: symmetric, installation type: suspended mounting, surface-mounted, for 1x 2x LED, rated luminous flux: 14.400lm, luminous efficacy: 177lm/W, light colour: 840, colour temperature: 4000K, control gear: ECG DALI, with terminal, 5-pole, max. 2.5mm², mains connection: 230..240V, AC/DC, 50/60Hz, rated input power: 81W, LED unit, of diecast aluminium, bead blasted, unplated, silver, length: 470mm, width: 500mm, height: 65mm, housing, of diecast aluminium, bead blasted, uncoated, silver, protection rating (complete): IP65, insulation class (complete): insulation class I (protective earthing), certification: CE, UKCA, protection symbol: D, impact resistance: IK08 with glass or PC cover, permissible operating ambient temperature: -35..+55°C, standard: EN 60598-2-22, reducing of maximum allowable ambient temperature of 5°C with ceiling mounting, corresponds to IFS (International Featured Standards) requirements for safety and quality in the food industry, packaging unit: 1 piece

IP 65 

Lamps:	1x 2x LED
Wt. (kg):	4.3
GTIN (EAN):	4058352341629



Order No.: 51HLA2D14FCAD | GTIN (EAN): 4058352341629

Detailed technical description: HB11,wd,14400lm840,DA



Key data

- Product type: LED high bay luminaire
- Product name: Highbay 11
- Order No.: 51HLA2D14FCAD

Lighting technology | Lamps | Control gear

Component 1

Lighting technology:

- Light control: lens of PMMA
- Beam angle: wide distribution
- Symmetry: symmetric
- Light emission: direct distribution
- UGR viewing direction along longitudinal luminaire axis: ≤ 22
- UGR viewing direction along lateral luminaire axis: ≤ 22

Lamps:

- Lamps: with 1x 2x LED
- Rated luminous flux: 14400lm
- Luminous efficacy: 177lm/W
- Colour temperature: 4000K
- Colour rendering index: CRI > 80
- Light colour: 840
- SDCM (Standard Deviation of Colour Matching): MacAdam ≤ 3 SDCM (initial)
- Rated input power: 81W
- Supplement: without changeover relay, for emergency light function, for central battery installations according to DIN EN 60598-2-22, luminous flux reduced to approx. 15% with DC operation

Operating device:

- Control gear: ECG DALI
- Control: DALI

Certificates, Standards

- Protection rating: IP65
- Insulation class: insulation class I (protective earthing)
- Impact resistance: IK08 with glass or PC cover
- Protection symbol: D
- Temperature range (operation): -35..+55°C
- Supplement: corresponds to IFS (International Featured Standards) requirements for safety and quality in the food industry, reducing of maximum allowable ambient temperature of 5°C with ceiling mounting
- Standard: EN 60598-2-22
- Certification, designation: CE, UKCA

Material, Colour

- LED unit: diecast aluminium, unplated, bead blasted, silver
- Quantity: 2 piece
- Colour specification: silver
- housing: diecast aluminium, uncoated, bead blasted, silver
- Quantity: 1 piece
- Colour specification: silver

Mounting

- Mounting method, mounting location: suspended mounting, surface-mounted, to wire, to the ceiling, to the chain
- Mounting height: 6..20m
- Arrangement: single arrangement
- Supplement: only suitable for indoor use, mounting accessories required, please order separately

Electrical connection

- Connection: terminal, 5-pole, max. 2.5mm²
- Nominal voltage: 230..240V, 50/60Hz, AC/DC

Dimensions, Weight

- Length: 470mm
- Width: 500mm
- Height: 65mm
- Weight: 4.3kg

Order No.: 51HLA2D14FCAD | **GTIN (EAN):** 4058352341629

Detailed technical description: HB11,wd,14400lm840,DA

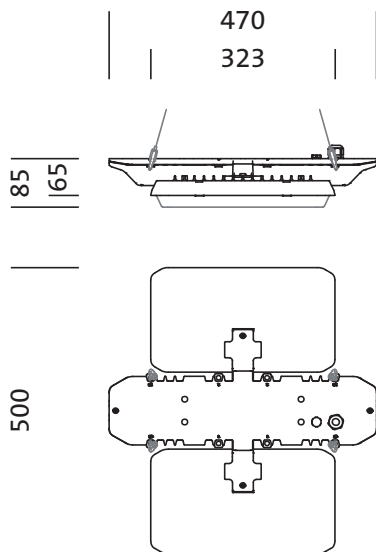


Service life

- Rated service life: 70000h (L85/B50) at AT = ta max, 100000h (L85/B50) at AT = 25°C

Order No.: 51HLA2D14FCAD | GTIN (EAN): 4058352341629

Dimensions: HB11,wd,14400lm840,DA



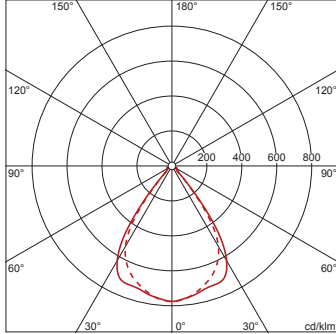
Order No.: 51HLA2D14FCAD | GTIN (EAN): 4058352341629

Planning data: HB11,wd,14400lm840,DA

51HLA2D14FCAD: 1x LED

4058352341629
51HLA2D14FCAD

LED 4000 K | CRI ≥ 80 ϕ_N 14400 lm



ϕ_{\downarrow} 100% ϕ_{\uparrow} 0%

Luminance values (cd/m²)

	C 0/180	C 90/270
L ₈₀	3023	5090
L ₇₀	11375	12320
L ₆₅	11719	11191

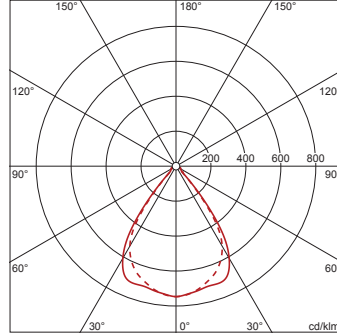
UGR 21 20.9

X 4H Y 8H ρ 70/50/20 S 0.25H

51HLA2D14FCAD + 59HL91001: 1x LED

4058352341629 + 4058352323519
51HLA2D14FCAD + 59HL91001

LED 4000 K | CRI ≥ 80 ϕ_N 13730 lm



ϕ_{\downarrow} 100% ϕ_{\uparrow} 0%

Luminance values (cd/m²)

	C 0/180	C 90/270
L ₈₀	2145	3203
L ₇₀	9841	10418
L ₆₅	10857	10376

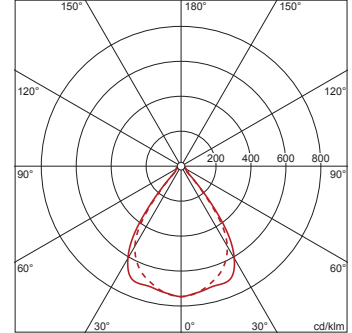
UGR 21 20.7

X 4H Y 8H ρ 70/50/20 S 0.25H

51HLA2D14FCAD + 59HL91002: 1x LED

4058352341629 + 4058352341650
51HLA2D14FCAD + 59HL91002

LED 4000 K | CRI ≥ 80 ϕ_N 12990 lm



ϕ_{\downarrow} 100% ϕ_{\uparrow} 0%

Luminance values (cd/m²)

	C 0/180	C 90/270
L ₈₀	2029	3030
L ₇₀	9310	9856
L ₆₅	10272	9817

UGR 20.8 20.5

X 4H Y 8H ρ 70/50/20 S 0.25H

It is mandatory that the assembly instructions must be observed when planning and installing the electrical installation (to be found at www.siteco.com)

Tolerances related to thermal, electrical and photometric data according to IEC 62722

Issued 10.11.2023 - Modifications and errors subject to change - Ensure that you always use the latest version -

Order No.: 51HLA2D14FCAD | GTIN (EAN): 4058352341629

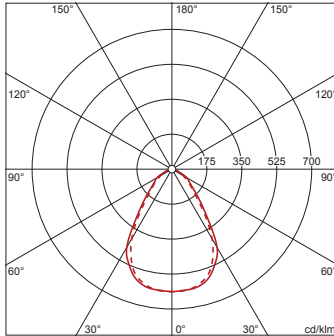
Planning data: HB11,wd,14400lm840,DA

**51HLA2D14FCAD +
59HL91004: 1x LED**

4058352341629 + 4058352341674

51HLA2D14FCAD + 59HL91004

LED 4000 K | CRI ≥ 80 ϕ_N 13110 lm



ϕ_{\downarrow} 99% ϕ_{\uparrow} 1%

Luminance values (cd/m²)

	C 0/180	C 90/270
L ₈₀	9099	6886
L ₇₀	11418	11024
L ₆₅	14972	13432

UGR 23.7 23.1

X 4H Y 8H ρ 70/50/20 S 0.25H

It is mandatory that the assembly instructions must be observed when planning and installing the electrical installation (to be found at www.siteco.com)

Tolerances related to thermal, electrical and photometric data according to IEC 62722

Issued 10.11.2023 - Modifications and errors subject to change - Ensure that you always use the latest version -