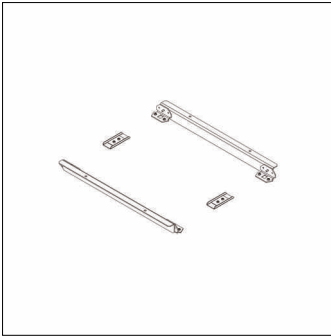


Order No.: 59HL92007 | GTIN (EAN): 4058352341681

Product description: HB11conn.br,surf

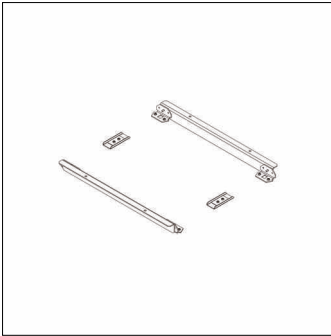


Highbay 11, connection bracket, installation type: surface-mounted, luminaire connector, of steel, galvanised, packaging unit: set of 2

Wt. (kg): 1.7
GTIN (EAN): 4058352341681

Order No.: 59HL92007 | GTIN (EAN): 4058352341681

Detailed technical description: HB11conn.br,surf



Key data

- Product type: connection bracket
- Product name: Highbay 11
- Order No.: 59HL92007

Material, Colour

- luminaire connector: steel, galvanised

Mounting

- Mounting method, mounting location:
surface-mounted, to the ceiling

Dimensions, Weight

- Weight: 1.7kg