

Order No.: 5LZ980300 | GTIN (EAN): 4058352398579

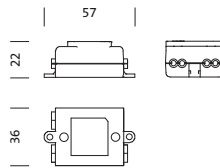
Product description: SConWi,rel.unit,wirel



SITECO Connect Wirelessrelay unit, control unit, master, local control - self-sufficient standalone sensors, switchable, installation type: recessed, installation location: in the ceiling, of plastic, voltage: 230V, 1 x DALI, 1 x Bluetooth interface, 1 x switching contact, feature: number of ECG's depends of the ECG type, protection rating (complete): IP20, insulation class (complete): insulation class II (safety insulation), certification: CE, packaging unit: 1 piece

IP 20  

Wt. (kg): 0.1
 GTIN (EAN): 4058352398579



Order No.: 5LZ980300 | GTIN (EAN): 4058352398579

Detailed technical description: SConWi,rel.unit,wirel



Key data

- System family: SITECO Connect Wireless
- Product type: control unit
- Product name: SITECO Connect Wireless
- Order No.: 5LZ980300

1x switching contact

- Feature: number of ECG's depends of the ECG type

Lighting technology | Lamps | Control gear

Component 1

Operating device:

- Control: Casambi, switchable

Certificates, Standards

- Protection rating: IP20
- Insulation class: insulation class II (safety insulation)
- Temperature range (operation): -20..+40°C
- Certification, designation: CE

Material, Colour

- housing: plastic, white
- housing: plastic, white

Mounting

- Mounting method, mounting location: recessed, in the ceiling
- Supplement: only suitable for use in indoor areas

Electrical connection

- Nominal voltage: 230V, 50/60Hz

Dimensions, Weight

- Length: 57mm
- Width: 36mm
- Height: 22mm
- Weight: 0.1kg

Outputs

1x DALI

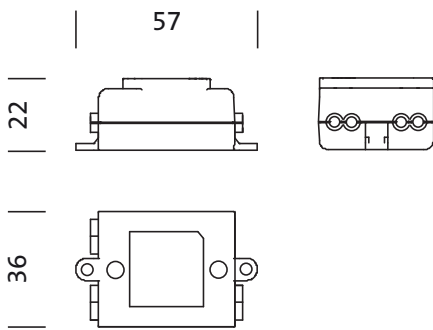
- System current: max. 2mA
- Feature: DALI, master function, broadcast addressing, max. 1 DALI ECG

1x Bluetooth interface

- Feature: wireless networking

Order No.: 5LZ980300 | GTIN (EAN): 4058352398579

Dimensions: SConWi,rel.unit,wirel



It is mandatory that the assembly instructions must be observed when planning and installing the electrical installation (to be found at www.siteco.com)

Tolerances related to thermal, electrical and photometric data according to IEC 62722

Issued 15.05.2026 - Modifications and errors subject to change - Ensure that you always use the latest version -