

**Order No.:** 5MD530CL18TW | **GTIN (EAN):** 4058352408407

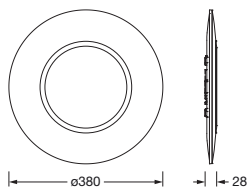
**Product description:** Rond21,1710lm8tw,BT4.2,PC,wh



Rondel 21, wall and ceiling luminaire, of PC, opal, light emission: direct distribution, installation type: surface-mounted, LED, rated luminous flux: 1.710lm, luminous efficacy: 82lm/W, light colour: 8tw, colour temperature: 2700..6500K, control gear: ECG, with terminal, 2-pole, mains connection: 220..240V, AC, 50/60Hz, rated input power: 22W, housing, round, of sheet steel, powder-coated, white, diameter: 380mm, height: 28mm, cover, of PC, graphite (RAL 7037), protection rating (complete): IP40, insulation class (complete): insulation class II (safety insulation), certification: CE, impact resistance: IK03, permissible operating ambient temperature: -20..+40°C, packaging unit: 1 piece

IP 40 IK 03  

Lamps:	LED
Wt. (kg):	1.3
GTIN (EAN):	4058352408407



**Order No.:** 5MD530CL18TW | **GTIN (EAN):** 4058352408407

**Detailed technical description:** Rond21,1710lm8tw,BT4.2,PC,wh



#### Key data

- System family: SITECO Connect 31 Wireless
- Product type: wall and ceiling luminaire
- Product name: Rondel 21
- Order No.: 5MD530CL18TW

#### Lighting technology | Lamps | Control gear

#### Component 1

#### Lighting technology:

- Light emission: direct distribution

#### Lamps:

- Lamps: with LED
- Rated luminous flux: 1710lm
- Luminous efficacy: 82lm/W
- Colour temperature: 2700..6500K
- Colour rendering index: CRI > 80
- Light colour: 8tw
- Rated input power: 22W

#### Operating device:

- Control gear: ECG
- Control: Bluetooth® mesh 4.2

#### Certificates, Standards

- Protection rating: IP40
- Insulation class: insulation class II (safety insulation)
- Impact resistance: IK03
- Temperature range (operation): -20..+40°C
- Certification, designation: CE

#### Material, Colour

- housing: sheet steel, powder-coated, white, round
- Colour specification: white
- cover: PC, graphite (RAL 7037)
- Colour specification: graphite (RAL 7037)

#### Mounting

- Mounting method, mounting location: surface-mounted, to the ceiling, to the wall
- Supplement: only suitable for indoor use

#### Electrical connection

- Connection: terminal, 2-pole
- Nominal voltage: 220..240V, 50/60Hz, AC

#### Dimensions, Weight

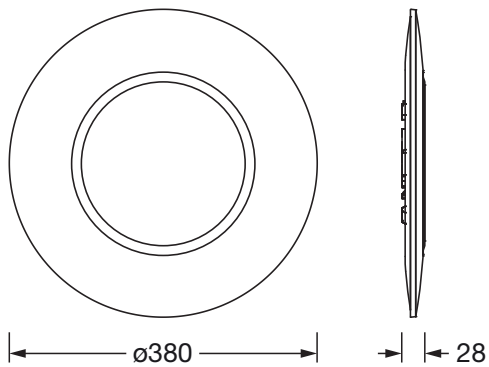
- Diameter: 380mm
- Height: 28mm
- Weight: 1.3kg

#### Service life

- Rated service life: 50000h (L70/B50) at AT = 25°C

Order No.: 5MD530CL18TW | GTIN (EAN): 4058352408407

Dimensions: Rond21,1710lm8tw,BT4.2,PC,wh



It is mandatory that the assembly instructions must be observed when planning and installing the electrical installation (to be found at [www.siteco.com](http://www.siteco.com))

Tolerances related to thermal, electrical and photometric data according to IEC 62722

Issued 07.07.2023 - Modifications and errors subject to change - Ensure that you always use the latest version -