

Order No.: 5LZ980302 | GTIN (EAN): 4058352405918

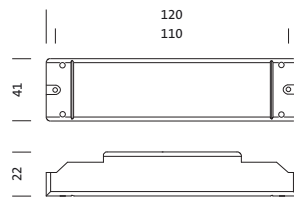
Product description: SConWi, repea, lokCtrlcentCtrl



SITECO Connect Wirelessrepeater, master, local control, central control, dimmable, installation type: recessed, installation location: in the luminaire, of plastic, voltage: 230V, voltage type: AC, 1 x DALI, 1 x DALI, protection rating (complete): IP20, insulation class (complete): insulation class II (safety insulation), certification: CE, packaging unit: 1 piece

IP 20  

Wt. (kg): 0.1  
GTIN (EAN): 4058352405918



It is mandatory that the assembly instructions must be observed when planning and installing the electrical installation (to be found at [www.siteco.com](http://www.siteco.com))

Tolerances related to thermal, electrical and photometric data according to IEC 62722

Issued 22.12.2023 - Modifications and errors subject to change - Ensure that you always use the latest version -

Order No.: 5LZ980302 | GTIN (EAN): 4058352405918

Detailed technical description: SConWi, repea, lokCtrlcentCtrl



#### Key data

- System family: SITECO Connect 31 Wireless
- Product type: lighting management components
- Product name: SITECO Connect Wireless
- Order No.: 5LZ980302

#### Lighting technology | Lamps | Control gear

#### Component 1

##### Operating device:

- Control: DALI, dimmable

##### Certificates, Standards

- Protection rating: IP20
- Insulation class: insulation class II (safety insulation)
- Temperature range (operation): -20..+60°C
- Certification, designation: CE

##### Material, Colour

- housing: plastic, white
- Colour specification: white

##### Mounting

- Mounting method, mounting location: recessed, in the luminaire
- Supplement: only for mounting indoors

##### Electrical connection

- Nominal voltage: 230V, 50Hz, AC

##### Dimensions, Weight

- Weight: 0.1kg

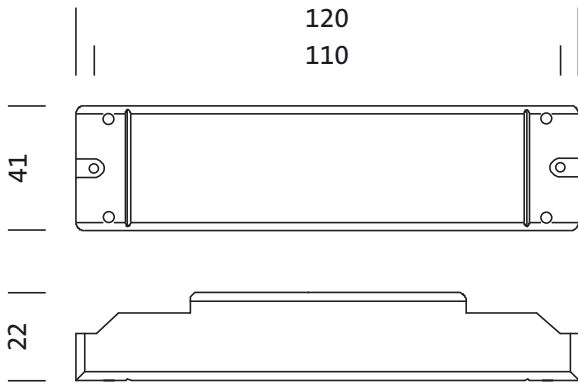
##### Outputs

##### 1x DALI

- Limiting: maximum 64x ECG DALI or 64x ECG DALI DT8 controllable

Order No.: 5LZ980302 | GTIN (EAN): 4058352405918

Dimensions: SConWi, repea, lokCtrlcentCtrl



It is mandatory that the assembly instructions must be observed when planning and installing the electrical installation (to be found at [www.siteco.com](http://www.siteco.com))  
Tolerances related to thermal, electrical and photometric data according to IEC 62722  
Issued 22.12.2023 - Modifications and errors subject to change - Ensure that you always use the latest version -