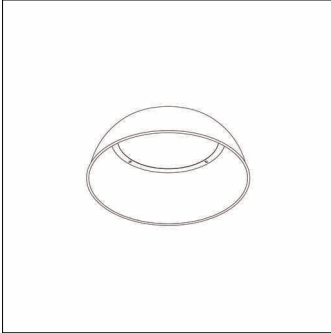
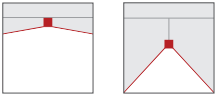


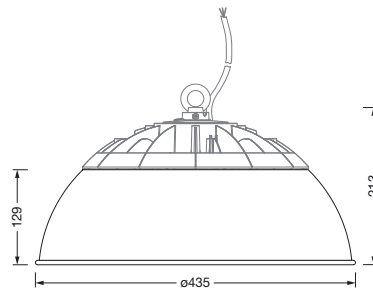
Order No.: 59HP91003 | GTIN (EAN): 4058352475843

Product description: HB42S/L,refl,alu,dir,surf



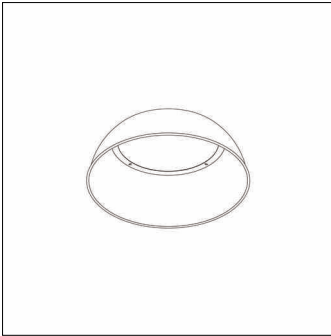
Highbay 42 S/L, reflector, primary light control with reflector, of aluminium, Alu-Soft, light emission: direct distribution, primary light characteristic: rotationally symmetric, installation type: surface-mounted, diameter: 435mm, height: 130mm, packaging unit: 1 piece

Wt. (kg): 0.4
GTIN (EAN): 4058352475843



Order No.: 59HP91003 | GTIN (EAN): 4058352475843

Detailed technical description: HB42S/L,refl,alu,dir,surf



Key data

- Product type: reflector
- Product name: Highbay 42 S/L
- Order No.: 59HP91003

Lighting technology | Lamps | Control gear

Component 1

Lighting technology:

- Light control: reflector of aluminium, Alu-Soft
- Beam angle: wide distribution, 100°
- Symmetry: rotationally symmetric
- Light emission: direct distribution

Mounting

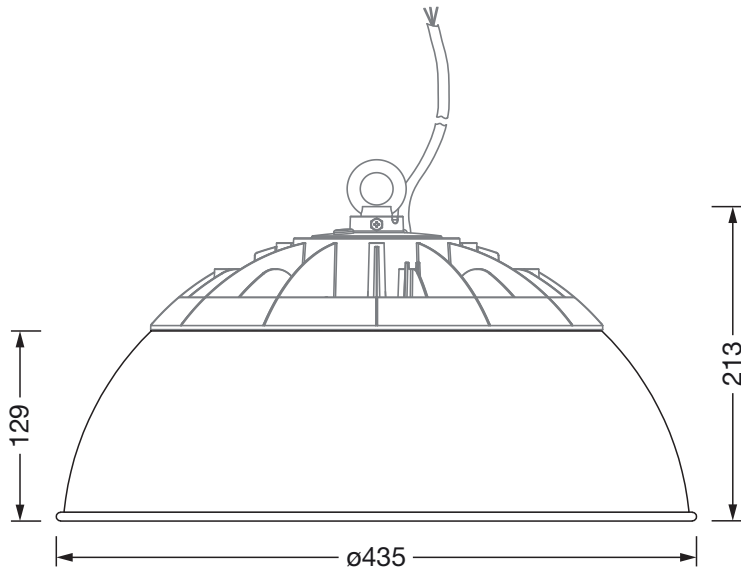
- Mounting method, mounting location: surface-mounted, to the luminaire
- Arrangement: single arrangement
- Supplement: incl. adapter ring

Dimensions, Weight

- Diameter: 435mm
- Height: 130mm
- Weight: 0.4kg

Order No.: 59HP91003 | GTIN (EAN): 4058352475843

Dimensions: HB42S/L,refl,alu,dir,surf



It is mandatory that the assembly instructions must be observed when planning and installing the electrical installation (to be found at www.siteco.com)

Tolerances related to thermal, electrical and photometric data according to IEC 62722

Issued 24.11.2023 - Modifications and errors subject to change - Ensure that you always use the latest version -