

Order No.: 59TR6CT | **GTIN (EAN):** 4058352487129

Product description: Lic-T-conn,L300,IP40,sr(w/o.wiring)



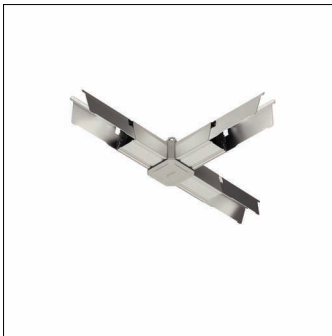
Licross®, T-connector, trunking rail element, of steel, galvanised, coated, metallic grey (RAL 9006), length: 300mm, width: 197mm, height: 67mm, blank cover, of PC/ABS, metallic grey (RAL 9006), connector, of steel, galvanised, protection rating (complete): for IP20/IP40 protection rating, certification: CE, UKCA, packaging unit: 1 piece

CE

Wt. (kg): 2.0
GTIN (EAN): 4058352487129

Order No.: 59TR6CT | GTIN (EAN): 4058352487129

Detailed technical description: Lic-T-conn,L300,IP40,sr(w/o.wiring)



Key data

- Product type: T-connector
- Product name: Licross®
- Order No.: 59TR6CT

Certificates, Standards

- Protection rating: for IP20/IP40 protection rating
- Certification, designation: CE, UKCA

Material, Colour

- trunking rail element: steel, galvanised, coated, metallic grey (RAL 9006)
- Colour specification: metallic grey (RAL 9006)
- blank cover: PC/ABS, metallic grey (RAL 9006)
- Colour specification: metallic grey (RAL 9006)
- connector: steel, galvanised, connector pre-assembled on trunking rail
- Quantity: 3 piece

Mounting

- Supplement: with safety hook (with height adjustment), Ø 6mm, for suspension at central node

Dimensions, Weight

- Length: 300mm
- Width: 197mm
- Height: 67mm
- Weight: 2.0kg