

**Order No.:** 5WD36CDE2SN3 | **GTIN (EAN):** 4058352392683

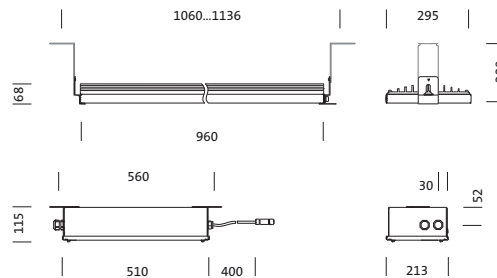
**Product description:** TL33Smd,46050lm740,DA,TSG



TL 33S midi, tunnel luminaire, primary optical cover: cover panel, of toughened safety glass, non-reflecting, transparent, light emission: direct distribution, primary light characteristic: symmetric, installation type: surface-mounted, connection on control gear side, LED, High Power LED, rated luminous flux: 46.050lm, luminous efficacy: 161lm/W, light colour: 740, colour temperature: 4000K, control gear: ECG DALI, with system connector, mains connection: 220..240V, AC, 50/60Hz, connection cable plug integrated into luminaire housing at face end, rated input power: 287W, connection on mains side, 7-pole, max. 10mm<sup>2</sup> (5G+2), with terminal, luminaire housing, of stainless steel 1.4404 (AISI316), etched and passivated, length: 960mm, width: 295mm, height: 68mm, heat sink, of Al Mg 2, e-box, of stainless steel 1.4404 (AISI316), etched and passivated, length: 510mm, width: 213mm, height: 115mm, protection rating (complete): IP66, insulation class (complete): insulation class I (protective earthing), certification: CE, impact resistance: IK09, permissible operating ambient temperature: -25..+55°C, packaging unit: 1 piece

IP 66 IK 09  

Lamps: LED  
 Wt. (kg): 17.6  
 GTIN (EAN): 4058352392683



It is mandatory that the assembly instructions must be observed when planning and installing the electrical installation (to be found at [www.siteco.com](http://www.siteco.com))

Tolerances related to thermal, electrical and photometric data according to IEC 62722

Issued 24.02.2023 - Modifications and errors subject to change - Ensure that you always use the latest version -

**Order No.:** 5WD36CDE2SN3 | **GTIN (EAN):** 4058352392683

**Detailed technical description:** TL33Smd,46050lm740,DA,TSG



#### Key data

- Product type: tunnel luminaire
- Product name: TL 33S midi
- Order No.: 5WD36CDE2SN3

#### Lighting technology | Lamps | Control gear

#### Component 1

##### Lighting technology:

- Cover: cover panel, transparent, non-reflecting
- Symmetry: symmetric distribution
- Light emission: direct distribution

##### Lamps:

- Supplement: suitable for 3-phase through-wiring on mains side

##### Operating device:

- Control gear: ECG DALI
- Control: DALI

#### Component 2

##### Certificates, Standards

- Protection rating: IP66
- Insulation class: insulation class I (protective earthing)
- Impact resistance: IK09
- Temperature range (operation): -25..+55°C
- Certification, designation: CE

##### Material, Colour

- luminaire housing: stainless steel 1.4404 (AISI316), etched and passivated
- e-box: stainless steel 1.4404 (AISI316), etched and passivated
- Cover: cover panel of toughened safety glass

##### Mounting

- Mounting method, mounting location: surface-mounted, to supporting structure, to the ceiling

#### Electrical connection

- Connection: system connector
- Nominal voltage: 220..240V, 50/60Hz, AC
- Surge voltage resistance: 10kV 1.2/50µs
- Connection cable: plug integrated into luminaire housing at face end

#### Dimensions, Weight

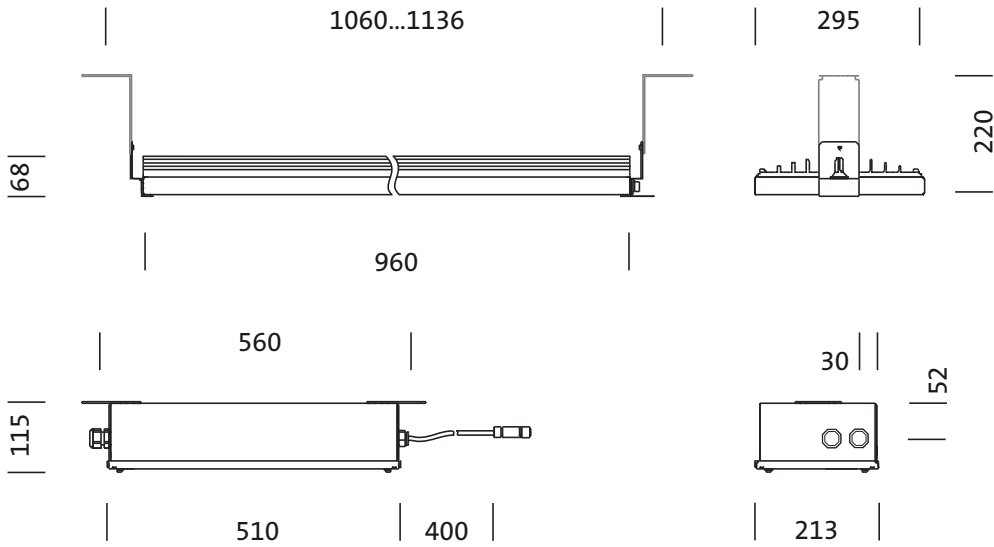
- Length: 960mm
- Width: 295mm
- Height: 68mm
- Weight: 17.6kg

#### Service life

- Rated service life: 100000h (L95/B10) at AT = 25°C

Order No.: 5WD36CDE2SN3 | GTIN (EAN): 4058352392683

Dimensions: TL33Smd,46050lm740,DA,TSG



It is mandatory that the assembly instructions must be observed when planning and installing the electrical installation (to be found at [www.siteco.com](http://www.siteco.com))

Tolerances related to thermal, electrical and photometric data according to IEC 62722

Issued 24.02.2023 - Modifications and errors subject to change - Ensure that you always use the latest version -

Order No.: 5WD36CDE2SN3 | GTIN (EAN): 4058352392683

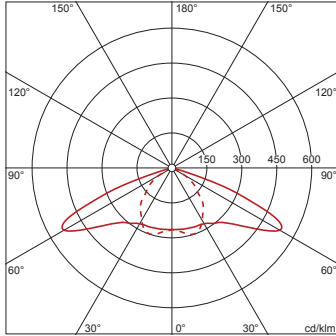
Planning data: TL33Smd,46050lm740,DA,TSG

## 5WD36CDE2SN3: 1x LED

4058352392683

5WD36CDE2SN3

LED 4000 K | CRI  $\geq$  70  $\phi_N$  46050 lm



— C 0/180    - - - C 90/270

It is mandatory that the assembly instructions must be observed when planning and installing the electrical installation (to be found at [www.siteco.com](http://www.siteco.com))

Tolerances related to thermal, electrical and photometric data according to IEC 62722

Issued 24.02.2023 - Modifications and errors subject to change - Ensure that you always use the latest version -