

Order No.: 5XA769SCS5 | GTIN (EAN): 4058352715987

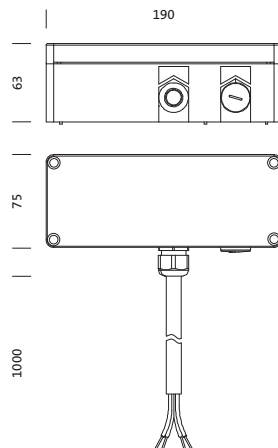
Product description: SConSpcontroller,BTLR



SITECO Connect Sportcontrol unit, configuration via Casambi app, installation location: to mounting bracket, of plastic, protection rating (complete): IP66, insulation class (complete): insulation class II (safety insulation), certification: CE, voltage: 230V, voltage type: AC, cable length: 1 m, Bluetooth® Long Range, ECG DALI, Bluetooth®, packaging unit: 1 piece

IP 66  

Wt. (kg): 0.7
GTIN (EAN): 4058352715987



It is mandatory that the assembly instructions must be observed when planning and installing the electrical installation (to be found at www.siteco.com)
Tolerances related to thermal, electrical and photometric data according to IEC 62722
Issued 29.09.2023 - Modifications and errors subject to change - Ensure that you always use the latest version -

Order No.: 5XA769SCS5 | GTIN (EAN): 4058352715987

Detailed technical description: SConSpcontroller,BTLR



Key data

- Product type: luminaire controller
- Product name: SITECO Connect Sport
- Order No.: 5XA769SCS5

Lighting technology | Lamps | Control gear

Component 1

Lamps:

- Rated input power: 3W

Certificates, Standards

- Protection rating: IP66
- Insulation class: insulation class II (safety insulation)
- Certification, designation: CE

Material, Colour

- housing: plastic, black
- Colour specification: black

Electrical connection

- Connection: cable, 5x 0.75mm²
- Nominal voltage: 230V, 50/60Hz, AC

Dimensions, Weight

- Weight: 0.7kg

Inputs

Bluetooth® Long Range

- Range: max. 100m in open field
- Option: controllable via smartphone

Outputs

ECG DALI

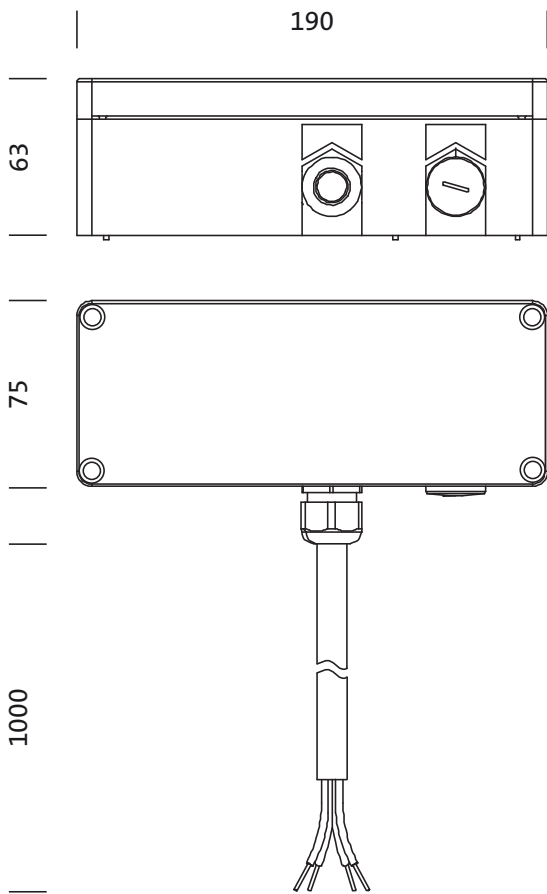
- Feature: for maximal four DALI ECGs

Bluetooth®

- Range: max. 100m in open field

Order No.: 5XA769SCS5 | GTIN (EAN): 4058352715987

Dimensions: SConSpcontroller,BTLR



It is mandatory that the assembly instructions must be observed when planning and installing the electrical installation (to be found at www.siteco.com)

Tolerances related to thermal, electrical and photometric data according to IEC 62722

Issued 29.09.2023 - Modifications and errors subject to change - Ensure that you always use the latest version -