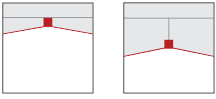


**Order No.:** 51HS12DD4GCA | **GTIN (EAN):** 4058352501818

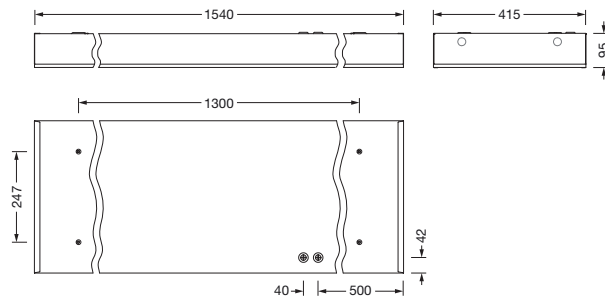
**Product description:** Sport31,1540x415,16000lm840,DA2wh



Sport 31, LED high bay luminaire, primary light control with reflector, of sheet steel, primary anti-glare with prismatic structure, of PC, primary optical cover: cover panel, of PC, light emission: direct distribution, primary light characteristic: symmetric, installation type: suspended mounting, recessed, surface-mounted, LED, rated luminous flux: 16.000lm, luminous efficacy: 137lm/W, light colour: 840, colour temperature: 4000K, control gear: ECG DALI, with terminal, 5-pole, max. 2.5mm<sup>2</sup>, mains connection: 220..240V, AC/DC, 50/60Hz, rated input power: 117W, housing, of sheet steel, traffic white (RAL 9016), length: 1.540mm, width: 415mm, height: 95mm, protection rating (complete): IP20, protection rating (lamp compartment, on room side): IP50, insulation class (complete): insulation class I (protective earthing), certification: CE, ENEC, UKCA, ball protection: ball impact resistant with ceiling mounting or chain suspension, impact resistance: IK08, permissible operating ambient temperature: -20..+35°C, standard: DIN 18032-3, EN 60598-2-22, packaging unit: 1 piece



Lamps:	LED
Wt. (kg):	14.8
GTIN (EAN):	4058352501818



It is mandatory that the assembly instructions must be observed when planning and installing the electrical installation (to be found at [www.siteco.com](http://www.siteco.com))

Tolerances related to thermal, electrical and photometric data according to IEC 62722

Issued 15.03.2024 - Modifications and errors subject to change - Ensure that you always use the latest version -

**Order No.:** 51HS12DD4GCA | **GTIN (EAN):** 4058352501818

**Detailed technical description:** Sport31,1540x415,16000lm840,DA2wh



#### Key data

- Product type: LED high bay luminaire
- Product name: Sport 31
- Order No.: 51HS12DD4GCA

#### Lighting technology | Lamps | Control gear

##### Component 1

#### Lighting technology:

- Light control: reflector of sheet steel
- Cover: cover panel
- Glare reduction: prismatic structure of PC
- Beam angle: wide distribution
- Symmetry: symmetric
- Light emission: direct distribution
- UGR viewing direction along longitudinal luminaire axis:  $\leq 22$
- UGR viewing direction along lateral luminaire axis:  $\leq 22$

#### Lamps:

- Lamps: with LED
- Rated luminous flux: 16000lm
- Luminous efficacy: 137lm/W
- Colour temperature: 4000K
- Colour rendering index: CRI > 80
- Light colour: 840
- SDCM (Standard Deviation of Colour Matching): MacAdam  $\leq 4$  SDCM (initial)
- Rated input power: 117W
- Supplement: for central battery installations, suitable for emergency light operating devices according to IEC 60598-2-22, luminous flux reduced to approx. 15% with DC operation, without flicker

#### Operating device:

- Control gear: ECG DALI
- Control: DALI 2

#### Certificates, Standards

- Protection rating: IP20
- Protection rating (lamp compartment, on room side): IP50
- Insulation class: insulation class I (protective earthing)
- Impact resistance: IK08
- Temperature range (operation): -20..+35°C
- Standard: EN 60598-2-22, DIN 18032-3
- Certification, designation: CE, ENEC, UKCA

#### Material, Colour

- housing: sheet steel, traffic white (RAL 9016)
- Quantity: 1 piece
- Colour specification: traffic white (RAL 9016)
- Cover: cover panel of PC

#### Mounting

- Mounting method, mounting location: suspended mounting, surface-mounted, recessed, to the ceiling, in the ceiling, to the chain
- Arrangement: single/continuous arrangement
- Supplement: for cut ceiling apertures, only suitable for indoor use, mounting accessories required, please order separately

#### Electrical connection

- Connection: terminal, 5-pole, max. 2.5mm<sup>2</sup>
- Nominal voltage: 220..240V, 50/60Hz, AC/DC

#### Dimensions, Weight

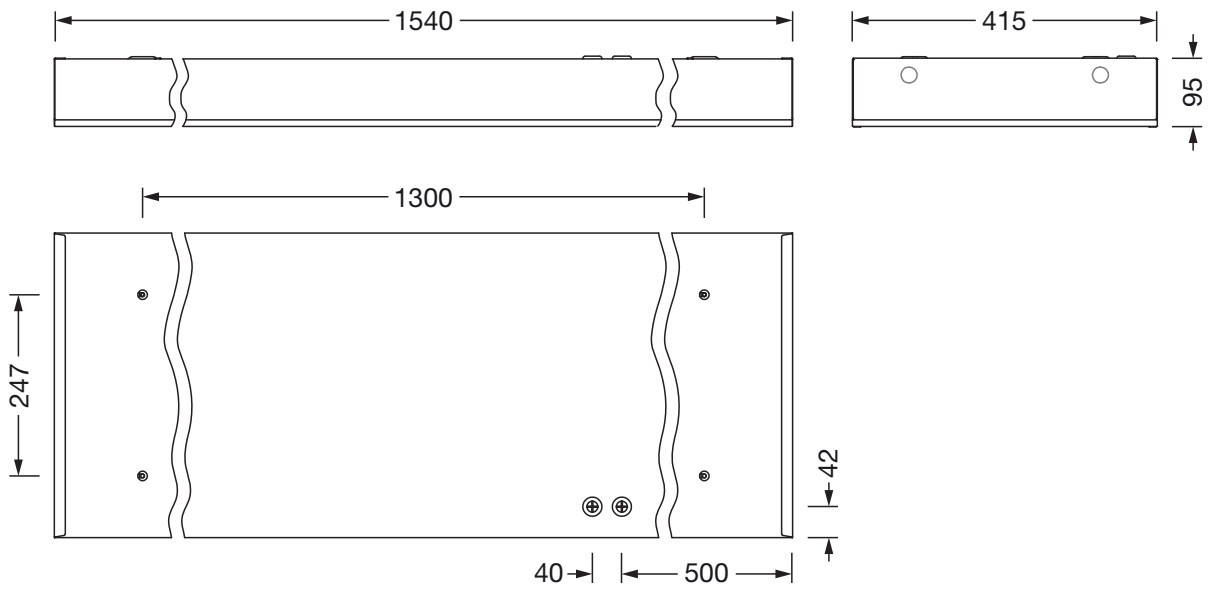
- Length: 1540mm
- Width: 415mm
- Height: 95mm
- Weight: 14.8kg

#### Service life

- Rated service life: 50000h (L85/B50) at AT = 25°C

Order No.: 51HS12DD4GCA | GTIN (EAN): 4058352501818

Dimensions: Sport31,1540x415,16000lm840,DA2wh



It is mandatory that the assembly instructions must be observed when planning and installing the electrical installation (to be found at [www.siteco.com](http://www.siteco.com))

Tolerances related to thermal, electrical and photometric data according to IEC 62722

Issued 15.03.2024 - Modifications and errors subject to change - Ensure that you always use the latest version -