

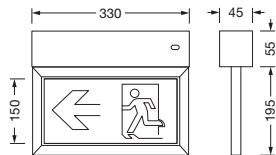
Order No.: GB82470MXSMNM4WED | GTIN (EAN):

Product description: MXL/ESA10SOL,LED,845,PMMA,3h,surf



IP 40 

Lamps: LED
Wt. (kg): 1.2



Order No.: GB82470MXSMNM4WED | **GTIN (EAN):**

Detailed technical description: MXL/ESA10SOL,LED,845,PMMA,3h,surf



Key data

- Product type: signage/orientation luminaire
- Product name: MXL/ESA10
- Order No.: GB82470MXSMNM4WED

Dimensions, Weight

- Length: 330mm
- Width: 45mm
- Height: 250mm
- Weight: 1.2kg

Lighting technology | Lamps | Control gear

Service life

- Rated service life: 50000h (L70/B50) at AT = 25°C

Component 1

Lighting technology:

- Cover: info panel

Lamps:

- Supplement: with self-test function, LED status display: green = system ok; red = failure

Operating device:

- Battery: LiFeP04
- Nominal service life: 3h

Component 2

Certificates, Standards

- Protection rating: IP40
- Insulation class: insulation class II (safety insulation)
- Temperature range (operation): 0..+45°C
- Supplement: manual test and automatic self-test according to BS EN 62034

Material, Colour

- housing: PC, traffic white (RAL 9016), cable entry from the rear or from above
- Colour specification: traffic white (RAL 9016)
- Cover: info panel of PMMA

Mounting

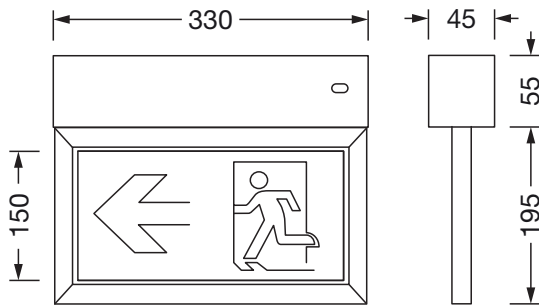
- Mounting method, mounting location: surface-mounted, to the ceiling, to the wall

Electrical connection

- Connection: terminal, 5-pole, max. 2.5mm²
- Nominal voltage: 220..240V, 50/60Hz

Order No.: GB82470MXSMNM4WED | GTIN (EAN):

Dimensions: MXL/ESA10SOL,LED,845,PMMA,3h,surf



It is mandatory that the assembly instructions must be observed when planning and installing the electrical installation (to be found at www.siteco.com)

Tolerances related to thermal, electrical and photometric data according to IEC 62722

Issued 24.02.2023 - Modifications and errors subject to change - Ensure that you always use the latest version -