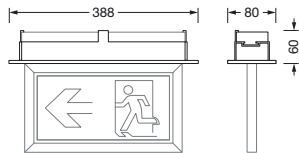


**Order No.:** GB82470MXR1 | **GTIN (EAN):**

**Product description:** MXL/ESA10,mount.frame,PC



Wt. (kg): 0.2



It is mandatory that the assembly instructions must be observed when planning and installing the electrical installation (to be found at [www.siteco.com](http://www.siteco.com))

Tolerances related to thermal, electrical and photometric data according to IEC 62722

Issued 24.02.2023 - Modifications and errors subject to change - Ensure that you always use the latest version -

**Order No.:** GB82470MXR1 | **GTIN (EAN):**

**Detailed technical description:** MXL/ESA10,mount.frame,PC



**Key data**

- Product type: ceiling recessing frame
- Product name: MXL/ESA10
- Order No.: GB82470MXR1

**Material, Colour**

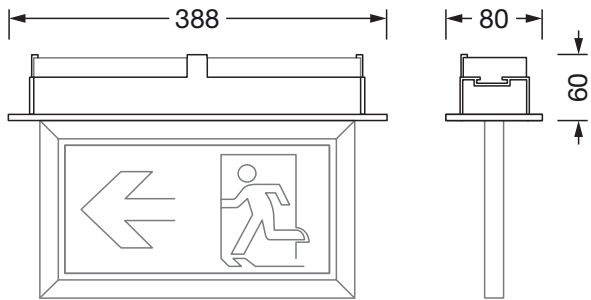
- mounting frame: PC

**Dimensions, Weight**

- Length: 390mm
- Width: 80mm
- Height: 60mm
- Weight: 0.2kg

Order No.: GB82470MXR1 | GTIN (EAN):

Dimensions: MXL/ESA10,mount.frame,PC



It is mandatory that the assembly instructions must be observed when planning and installing the electrical installation (to be found at [www.siteco.com](http://www.siteco.com))

Tolerances related to thermal, electrical and photometric data according to IEC 62722

Issued 24.02.2023 - Modifications and errors subject to change - Ensure that you always use the latest version -