

Order No.: 51DS107D33A | GTIN (EAN): 4058352509968

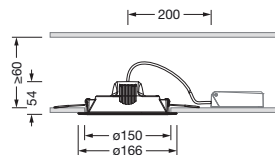
Product description: Lun41ECO,Ø150,1400lm830,0/1wh



Lunis 41, ECO, downlight, light emission: direct distribution, LED rated luminous flux: 1.400lm, light colour: 830, control gear: ECG, mains connection: 230V, AC, 50/60Hz, housing, round, of aluminium, coated, traffic white (RAL 9016), diameter: 166mm, recess depth: 54mm, protection rating (complete): IP20, protection rating (on room side): IP40, insulation class (complete): insulation class II (safety insulation), certification: CE, permissible ambient temperature for indoor applications: -20..+40°C, packaging unit: 1 piece

IP 20  

Lamps: LED  
Wt. (kg): 0.1  
GTIN (EAN): 4058352509968



It is mandatory that the assembly instructions must be observed when planning and installing the electrical installation (to be found at [www.siteco.com](http://www.siteco.com))

Tolerances related to thermal, electrical and photometric data according to IEC 62722

Issued 15.03.2024 - Modifications and errors subject to change - Ensure that you always use the latest version -

Order No.: 51DS107D33A | GTIN (EAN): 4058352509968

Detailed technical description: Lun41ECO,Ø150,1400lm830,0/1wh



#### Key data

- Product type: downlight
- Product name: Lunis 41 ECO
- Order No.: 51DS107D33A

#### Service life

- Rated service life: 30000h (L70/B50) at AT = 25°C

#### Lighting technology | Lamps | Control gear

#### Component 1

#### Lighting technology:

- Light emission: direct distribution

#### Lamps:

- Lamps: with LED
- Rated luminous flux: 1400lm
- Luminous efficacy: 100lm/W
- Colour temperature: 3000K
- Colour rendering index: CRI > 80
- Light colour: 830
- Rated input power: 14W

#### Operating device:

- Control gear: ECG
- Control: ON/OFF

#### Certificates, Standards

- Protection rating: IP20
- Protection rating (on room side): IP40
- Insulation class: insulation class II (safety insulation)
- Temperature range (operation): -20..+40°C
- Certification, designation: CE

#### Material, Colour

- housing: aluminium, coated, traffic white (RAL 9016), round
- Colour specification: traffic white (RAL 9016)

#### Mounting

- Mounting method, mounting location: recessed, in the ceiling
- Ø of ceiling cut-out: 150mm
- Arrangement: single arrangement

#### Electrical connection

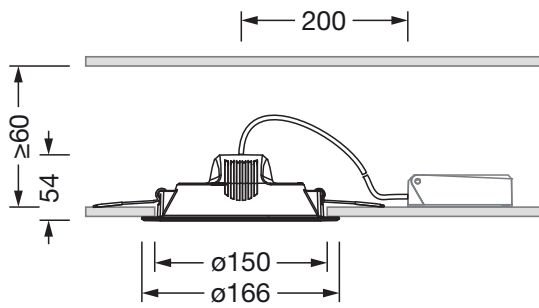
- Nominal voltage: 230V, 50/60Hz, AC

#### Dimensions, Weight

- Diameter: 166mm
- Recess depth: 54mm
- Weight: 0.1kg

Order No.: 51DS107D33A | GTIN (EAN): 4058352509968

Dimensions: Lun41ECO, Ø150, 1400lm830, 0/1wh



It is mandatory that the assembly instructions must be observed when planning and installing the electrical installation (to be found at [www.siteco.com](http://www.siteco.com))

Tolerances related to thermal, electrical and photometric data according to IEC 62722

Issued 15.03.2024 - Modifications and errors subject to change - Ensure that you always use the latest version -