

Order No.: 5XA7771C2E2A | **GTIN (EAN):** 4058352652756

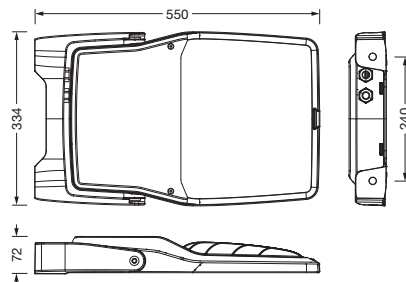
Product description: FL21iQmn,A640002,11790lm730,Com/DA,desbr



Floodlight FL 21 iQ mini, floodlight, primary light control with lens, of PMMA, primary optical cover: protective disc, of toughened safety glass, transparent, light distribution: A640002, light emission: direct distribution, installation type: surface-mounted, lamps: LED, rated values: 11.790lm | 87,2W | 135,2lm/W (begin service life); end service life: 11.790lm | 92,1W; at 50% lumin. flux: 5.895lm | 40,1W | 147lm/W, colour temperature: 3000K, colour rendering: CRI > 70, light colour: 730, light setting 1 (further light settings possible): 100% | 11.790lm | 87,2W | 135,2lm/W | 3.000K (begin service life); end service life: 92,1W, control gear: iQ Comfort/DALI, control: Auto-Match, Temp-Guard, Lumen-Switch, Night-Set, Smart-Wire, Light-Fading, Desk-Remote (wireless, voltage-free reading and setting of iQ features in the workshop via application-optimized NFC function/RFID function), optimised constant luminous flux control (CLO 2.0), pre-setting: linear dimming characteristic, mains connection: 220..240V, AC, 50/60Hz, surge voltage resistance: surge voltage resistance: 10kV (common mode); 6kV (differential mode), electrical connection: terminal, 6-pole, max. 2.5mm², solid wire, fine wire, luminaire housing, of diecast aluminium, powder-coated, SITECO metallic grey (DB 702S), corrosivity category C5 mid according to DIN EN ISO 12944, sealing non-destructively replaceable, design bracket, of diecast aluminium, powder-coated, SITECO metallic grey (DB 702S), protection rating (complete): IP66, insulation class (complete): insulation class II (safety insulation), certification: CE, ENEC, VDE, protection symbol: D, impact resistance: IK08, permissible operating ambient temperature: -40..+40°C, permissible operating ambient temperature for outdoor applications: -40..+50°C, standard: DIN EN 12944, LABS conformity tested according to VDMA 24364:2018-05, packaging unit: 1 piece



Lamps: LED
 Wt. (kg): 6.7
 GTIN (EAN): 4058352652756



Order No.: 5XA7771C2E2A | GTIN (EAN): 4058352652756

Detailed technical description: FL21iQmn,A640002,11790lm730,Com/DA,desbr



Key data

- Product type: floodlight
- Product name: Floodlight FL 21 iQ mini
- Order No.: 5XA7771C2E2A

Lighting technology | Lamps | Control gear

Component 1

Lighting technology:

- Light control: lens of PMMA
- Cover: protective disc, transparent
- Light distribution: A640002
- Light emission: direct distribution

Lamps:

- Lamps: with LED
- Rated values: 11790lm | 87.2W | 135.2lm/W (begin service life); end service life: 11790lm | 92.1W; at 50% lumin. flux: 5895lm | 40.1W | 147lm/W
- Colour temperature: 3000K
- Colour rendering index: CRI > 70
- Light colour: 730
- Supplement: prepared for through-wiring

Factory light settings (LS):

- begin service life:
LS 1: 100% | 11790lm | 87.2W | 135.2lm/W | 3000K
- end service life:
LS 1: 92.1W
- further light settings possible

Operating device:

- Control: iQ Comfort/DALI
- Equipment: optimised constant luminous flux control (CLO 2.0), Desk-Remote (wireless, voltage-free reading and setting of iQ features in the workshop via application-optimized NFC function/RFID function), Light-Fading, Smart-Wire, Night-Set, Lumen-Switch, Temp-Guard, Auto-Match, pre-setting: linear dimming characteristic

Certificates, Standards

- Protection rating: IP66
- Insulation class: insulation class II (safety insulation)
- Impact resistance: IK08
- Protection symbol: D
- Temperature range (operation): -40..+40°C
- Supplement: LABS conformity tested according to VDMA 24364:2018-05
- Standard: DIN EN 12944
- Corrosion protection: corrosivity category C5 mid according to DIN EN ISO 12944
- Certification, designation: CE, ENEC, VDE

Material, Colour

- luminaire housing: diecast aluminium, powder-coated, SITECO metallic grey (DB 702S), sealing non-destructively replaceable
- design bracket: diecast aluminium, powder-coated, SITECO metallic grey (DB 702S)
- Cover: protective disc of toughened safety glass

Mounting

- Mounting method, mounting location: surface-mounted, to the wall
- Arrangement: single arrangement
- Supplement: with mounting bracket

Electrical connection

- Connection: terminal, 6-pole, max. 2.5mm², solid wire, fine wire
- Nominal voltage: 220..240V, 50/60Hz, AC
- Surge voltage resistance: surge voltage resistance: 10kV (common mode); 6kV (differential mode)

Dimensions, Weight

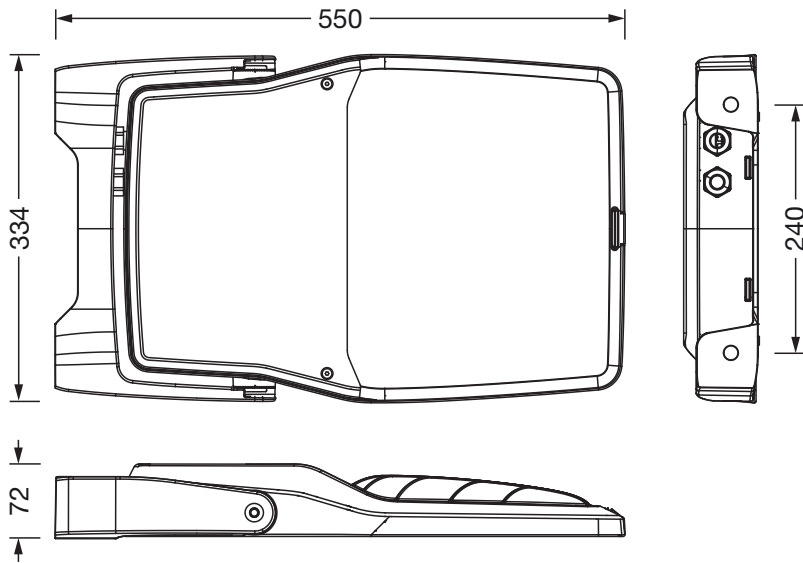
- Weight: 6.7kg

Service life

- Rated service life: 100000h (L97/B10) at AT = 25°C

Order No.: 5XA7771C2E2A | GTIN (EAN): 4058352652756

Dimensions: FL21iQmn,A640002,11790lm730,Com/DA,desbr



It is mandatory that the assembly instructions must be observed when planning and installing the electrical installation (to be found at www.siteco.com)
Tolerances related to thermal, electrical and photometric data according to IEC 62722
Issued 27.02.2026 - Modifications and errors subject to change - Ensure that you always use the latest version -