

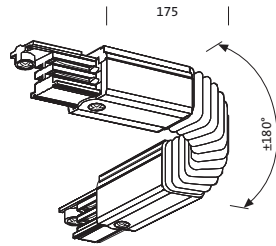
Order No.: 5DTAXTSC6232 | GTIN (EAN): 4058352112359

Product description: AXT,angleconn-flex,recsurf,plast,bk

AX T, flexible angle connector, installation type: recessed, surface-mounted, of plastic, jet black (RAL 9005), for 3-phase track, can be rotated through 360°, certification: CE, packaging unit: 1 piece

CE

Wt. (kg): 0.2
GTIN (EAN): 4058352112359



Order No.: 5DTAXTSC6232 | GTIN (EAN): 4058352112359

Detailed technical description: AXT,angleconn-flex,recsurf,plast,bk

Key data

- Product type: flexible angle connector
- Product name: AX T
- Order No.: 5DTAXTSC6232

Lighting technology | Lamps | Control gear

Component 1

Operating device:

- Control: DALI

Certificates, Standards

- Certification, designation: CE

Material, Colour

- Colour specification: jet black (RAL 9005)

Mounting

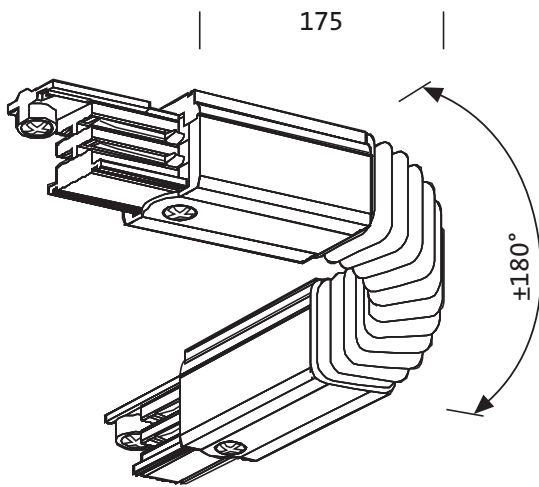
- Mounting method, mounting location: surface-mounted, recessed, to the ceiling, in the ceiling

Dimensions, Weight

- Weight: 0.2kg

Order No.: 5DTAXTSC6232 | GTIN (EAN): 4058352112359

Dimensions: AXT,angleconn-flex,recsurf,plast,bk



It is mandatory that the assembly instructions must be observed when planning and installing the electrical installation (to be found at www.siteco.com)

Tolerances related to thermal, electrical and photometric data according to IEC 62722

Issued 07.07.2023 - Modifications and errors subject to change - Ensure that you always use the latest version -