

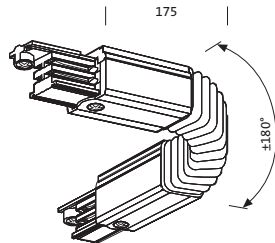
Order No.: 5DTAXTS232 | GTIN (EAN): 4058352111840

Product description: AXT,angleconn-flex,recsurf,plast,bk

AX T, flexible angle connector, installation type: recessed, surface-mounted, control gear: ON/OFF, of plastic, jet black (RAL 9005), for 3-phase track, can be rotated through 360°, certification: CE, packaging unit: 1 piece

CE

Wt. (kg): 0.1
GTIN (EAN): 4058352111840



Order No.: 5DTAXTS232 | **GTIN (EAN):** 4058352111840

Detailed technical description: AXT,angleconn-flex,recsurf,plast,bk

Key data

- Product type: flexible angle connector
- Product name: AX T
- Order No.: 5DTAXTS232

Lighting technology | Lamps | Control gear

Component 1

Operating device:

- Control: ON/OFF

Certificates, Standards

- Certification, designation: CE

Mounting

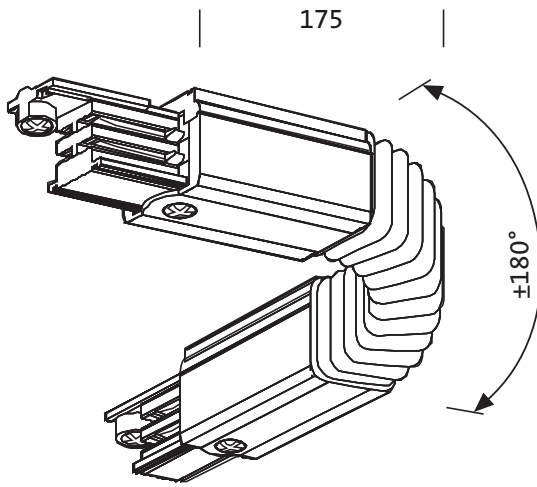
- Mounting method, mounting location:
surface-mounted, recessed, to the ceiling, in the ceiling

Dimensions, Weight

- Weight: 0.1kg

Order No.: 5DTAXTS232 | GTIN (EAN): 4058352111840

Dimensions: AXT,angleconn-flex,recsurf,plast,bk



It is mandatory that the assembly instructions must be observed when planning and installing the electrical installation (to be found at www.siteco.com)
Tolerances related to thermal, electrical and photometric data according to IEC 62722
Issued 14.02.2026 - Modifications and errors subject to change - Ensure that you always use the latest version -