

Order No.: 5XA7783E4D1A | **GTIN (EAN):** 4058352855089

Product description: FL21md,PL52,32650lm740,ML,bracket



Floodlight FL 21 midi, floodlight, primary light control with lens, of PMMA, primary optical cover: protective disc, of toughened safety glass, transparent, light distribution: PL52, light emission: direct distribution, installation type: surface-mounted, LED, High Power LED, rated luminous flux: 32.650lm, luminous efficacy: 126lm/W, light colour: 740, colour temperature: 4000K, control gear: ECG, control: Temp-Guard, with terminal, 6-pole, mains connection: 220..240V, AC, 50/60Hz, start of lifetime: 259W, luminaire housing, of diecast aluminium, powder-coated, Siteco® metallic grey (DB 702S), corrosivity category C5 mid according to DIN EN ISO 12944, sealing non-destructively replaceable, mounting bracket, of steel, galvanised, powder-coated, Siteco® metallic grey (DB 702S), ON/OFF, protection rating (complete): IP66, insulation class (complete): insulation class II (safety insulation), certification: CE, protection symbol: D, impact resistance: IK08, permissible operating ambient temperature: -40..+40°C, permissible operating ambient temperature for outdoor applications: -40..+50°C, standard: DIN EN 12944, LABS conformity tested according to VDMA 24364:2018-05, packaging unit: 1 piece

IP 66 IK 08   

Lamps:	LED
Wt. (kg):	10.2
GTIN (EAN):	4058352855089



Order No.: 5XA7783E4D1A | GTIN (EAN): 4058352855089

Detailed technical description: FL21md,PL52,32650lm740,ML,bracket



Key data

- Product type: floodlight
- Product name: Floodlight FL 21 midi
- Order No.: 5XA7783E4D1A

Lighting technology | Lamps | Control gear

Component 1

Lighting technology:

- Light control: lens of PMMA
- Cover: protective disc, transparent
- Light distribution: PL52
- Light emission: direct distribution

Lamps:

- Lamps: with High Power LED, LED
- Rated luminous flux: 32650lm
- Luminous efficacy: 126lm/W
- Colour temperature: 4000K
- Colour rendering index: CRI > 70
- Light colour: 740
- Rated input power begin service life: 259
- Supplement: prepared for through-wiring, luminous flux adjustable on luminaire in eight steps

Operating device:

- Control gear: ECG
- Control: ON/OFF Multilumen
- Equipment: Temp-Guard

Certificates, Standards

- Protection rating: IP66
- Insulation class: insulation class II (safety insulation)
- Impact resistance: IK08
- Protection symbol: D
- Temperature range (operation): -40..+40°C
- Supplement: LABS conformity tested according to VDMA 24364:2018-05
- Standard: DIN EN 12944
- Corrosion protection: corrosivity category C5 mid according to DIN EN ISO 12944
- Certification, designation: CE

Material, Colour

- luminaire housing: diecast aluminium, powder-coated, Siteco® metallic grey (DB 702S), sealing non-destructively replaceable
- Colour specification: Siteco® metallic grey (DB 702S)
- mounting bracket: steel, galvanised, powder-coated, Siteco® metallic grey (DB 702S)
- Colour specification: Siteco® metallic grey (DB 702S)
- Cover: protective disc of toughened safety glass

Mounting

- Mounting method, mounting location: surface-mounted, to supporting structure, to the cross arm
- Arrangement: single arrangement
- Supplement: with mounting bracket

Electrical connection

- Connection: terminal, 6-pole
- Nominal voltage: 220..240V, 50/60Hz, AC
- Surge voltage resistance: 10kV 1.2/50µs

Dimensions, Weight

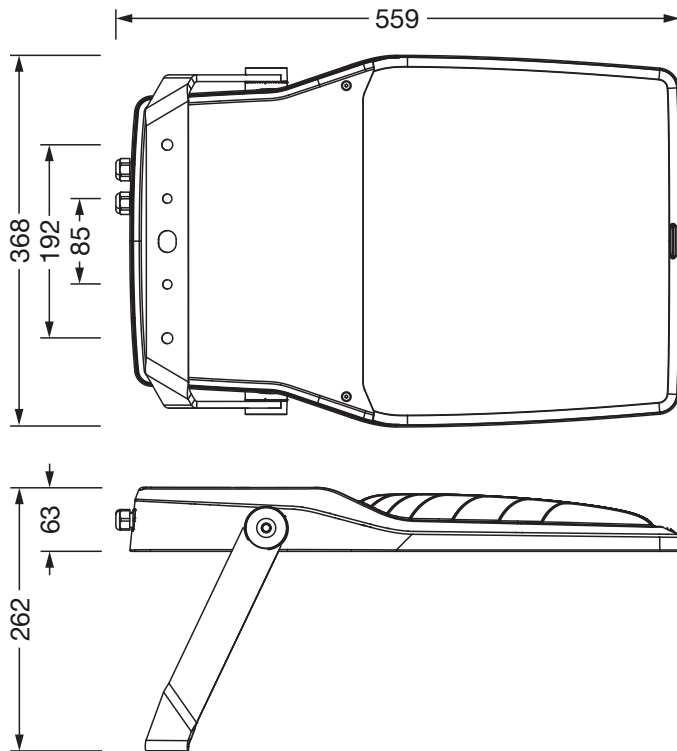
- Weight: 10.2kg

Service life

- Rated service life: 50000h (L95/B10) at AT = -25°C

Order No.: 5XA7783E4D1A | GTIN (EAN): 4058352855089

Dimensions: FL21md,PL52,32650lm740,ML,bracket



It is mandatory that the assembly instructions must be observed when planning and installing the electrical installation (to be found at www.siteco.com)

Tolerances related to thermal, electrical and photometric data according to IEC 62722

Issued 13.04.2024 - Modifications and errors subject to change - Ensure that you always use the latest version -