

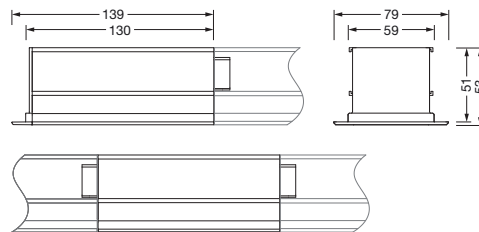
**Order No.:** 59MX1AW100WA | **GTIN (EAN):** 4058352774922

**Product description:** Sil21,controller,wirel

Silica® 21controller, master, local control, dimmable, installation arrangement: single/continuous arrangement, installation type: slip-in mounting, installation location: to the luminaire, of extruded aluminium section, protection rating (complete): IP20, insulation class (complete): insulation class I (protective earthing), certification: CE, packaging unit: 1 piece

IP 20  

Wt. (kg): 0.3  
GTIN (EAN): 4058352774922



It is mandatory that the assembly instructions must be observed when planning and installing the electrical installation (to be found at [www.siteco.com](http://www.siteco.com))

Tolerances related to thermal, electrical and photometric data according to IEC 62722

Issued 05.01.2024 - Modifications and errors subject to change - Ensure that you always use the latest version -

Order No.: 59MX1AW100WA | GTIN (EAN): 4058352774922

Detailed technical description: Sil21,controller,wirel

#### Key data

- System family: SITECO Connect 31 Wireless
- Product type: control unit
- Product name: Silica® 21
- Order No.: 59MX1AW100WA

#### Lighting technology | Lamps | Control gear

#### Component 1

#### Operating device:

- Control: Bluetooth® mesh 4.2, dimmable

#### Certificates, Standards

- Protection rating: IP20
- Insulation class: insulation class I (protective earthing)
- Temperature range (operation): 0..+40°C
- Certification, designation: CE

#### Material, Colour

- housing: extruded aluminium section, anodised, traffic white (RAL 9016), for luminaires with opal or prismatic cover
- Colour specification: traffic white (RAL 9016)

#### Mounting

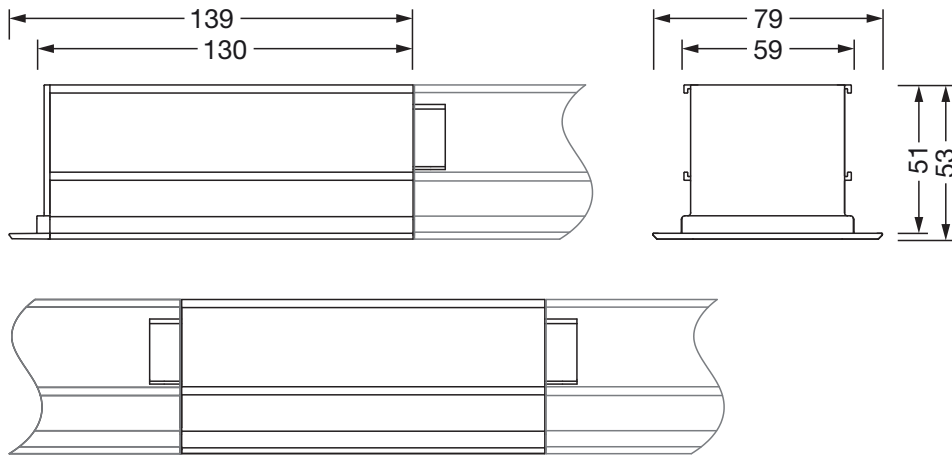
- Mounting method, mounting location: slip-in mounting, to the luminaire
- Arrangement: single/continuous arrangement
- Supplement: for recessed luminaires

#### Dimensions, Weight

- Length: 139mm
- Width: 53mm
- Height: 54mm
- Weight: 0.3kg

Order No.: 59MX1AW100WA | GTIN (EAN): 4058352774922

Dimensions: Sil21,controller,wirel



It is mandatory that the assembly instructions must be observed when planning and installing the electrical installation (to be found at [www.siteco.com](http://www.siteco.com))

Tolerances related to thermal, electrical and photometric data according to IEC 62722

Issued 05.01.2024 - Modifications and errors subject to change - Ensure that you always use the latest version -