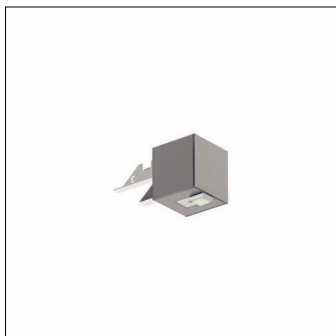


Order No.: 59MX2CD100SA | GTIN (EAN): 4058352760451

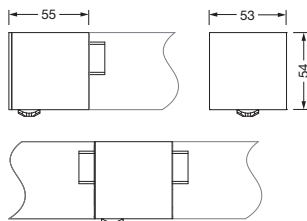
Product description: Sil21,SensMoPC3S,wired



Silica® 21sensor module PC3-S, slave, central control, dimmable, installation arrangement: single/continuous arrangement, installation type: slip-in mounting, installation location: to the luminaire, of extruded aluminium section, protection rating (complete): IP20, insulation class (complete): insulation class I (protective earthing), certification: CE, 1 x PIR movement sensor, 1 x light sensor, packaging unit: 1 piece

IP 20  

Wt. (kg): 0.2  
GTIN (EAN): 4058352760451



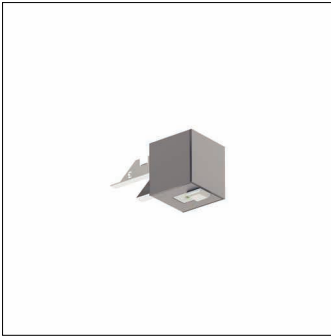
It is mandatory that the assembly instructions must be observed when planning and installing the electrical installation (to be found at [www.siteco.com](http://www.siteco.com))

Tolerances related to thermal, electrical and photometric data according to IEC 62722

Issued 05.01.2024 - Modifications and errors subject to change - Ensure that you always use the latest version -

Order No.: 59MX2CD100SA | GTIN (EAN): 4058352760451

Detailed technical description: Sil21,SensMoPC3S,wired



#### Key data

- System family: Siteco Connect 11, SITECO Connect 21B, SITECO Connect 21H, SITECO Connect 31 Office
- Product type: presence detector (slave)
- Product name: Silica® 21
- Order No.: 59MX2CD100SA

#### Lighting technology | Lamps | Control gear

#### Component 1

##### Operating device:

- Control: DALI 2, dimmable

##### Certificates, Standards

- Protection rating: IP20
- Insulation class: insulation class I (protective earthing)
- Temperature range (operation): 0..+40°C
- Certification, designation: CE

##### Material, Colour

- housing: extruded aluminium section, anodised, metallic grey (RAL 9006), for luminaires with opal or prismatic cover
- Colour specification: metallic grey (RAL 9006)

##### Mounting

- Mounting method, mounting location: slip-in mounting, to the luminaire
- Mounting height: 2.5..5m
- Arrangement: single/continuous arrangement
- Supplement: for surface-mounted luminaires, for pendant luminaires

##### Dimensions, Weight

- Length: 55mm
- Width: 53mm
- Height: 54mm
- Weight: 0.2kg

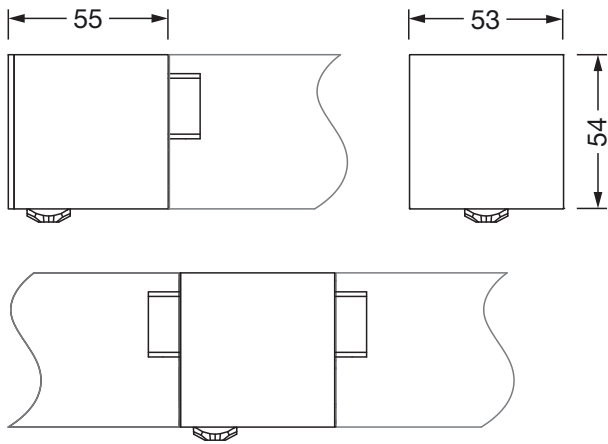
##### Inputs

##### 1x PIR movement sensor

- Connection: PIR sensor (passive-infrared)

Order No.: 59MX2CD100SA | GTIN (EAN): 4058352760451

Dimensions: Sil21,SensMoPC3S,wired



It is mandatory that the assembly instructions must be observed when planning and installing the electrical installation (to be found at [www.siteco.com](http://www.siteco.com))

Tolerances related to thermal, electrical and photometric data according to IEC 62722

Issued 05.01.2024 - Modifications and errors subject to change - Ensure that you always use the latest version -