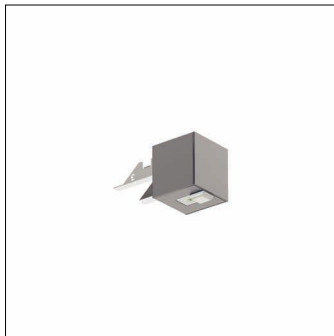


Order No.: 59MX2CW100SA | GTIN (EAN): 4058352760512

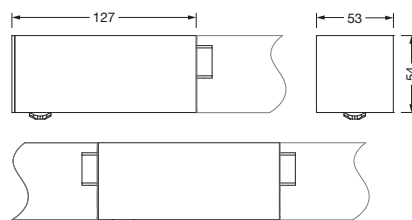
Product description: Sil21,SensMoPC3S,lokCtrl,PIR-sens



Silica® 21sensor module PC3-S, slave, local control, dimmable, installation arrangement: single/continuous arrangement, installation type: slip-in mounting, installation location: to the luminaire, of extruded aluminium section, protection rating (complete): IP20, insulation class (complete): insulation class I (protective earthing), certification: CE, 1 x PIR movement sensor, 1 x light sensor, packaging unit: 1 piece

IP 20  

Wt. (kg): 0.3
GTIN (EAN): 4058352760512



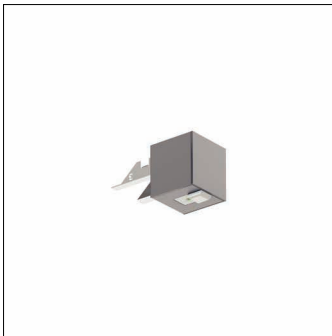
It is mandatory that the assembly instructions must be observed when planning and installing the electrical installation (to be found at www.siteco.com)

Tolerances related to thermal, electrical and photometric data according to IEC 62722

Issued 17.11.2023 - Modifications and errors subject to change - Ensure that you always use the latest version -

Order No.: 59MX2CW100SA | GTIN (EAN): 4058352760512

Detailed technical description: Sil21,SensMoPC3S,IokCtrl,PIR-sens



Key data

- System family: SITECO Connect 31 Wireless
- Product type: lighting management components
- Product name: Silica® 21
- Order No.: 59MX2CW100SA

Lighting technology | Lamps | Control gear

Component 1

Operating device:

- Control: Bluetooth® mesh 4.2, dimmable

Certificates, Standards

- Protection rating: IP20
- Insulation class: insulation class I (protective earthing)
- Temperature range (operation): 0..+40°C
- Certification, designation: CE

Material, Colour

- housing: extruded aluminium section, anodised, metallic grey (RAL 9006), for luminaires with opal or prismatic cover
- Colour specification: metallic grey (RAL 9006)

Mounting

- Mounting method, mounting location: slip-in mounting, to the luminaire
- Mounting height: 2.5..5m
- Arrangement: single/continuous arrangement
- Supplement: for surface-mounted luminaires, for pendant luminaires

Dimensions, Weight

- Length: 127mm
- Width: 53mm
- Height: 54mm
- Weight: 0.3kg

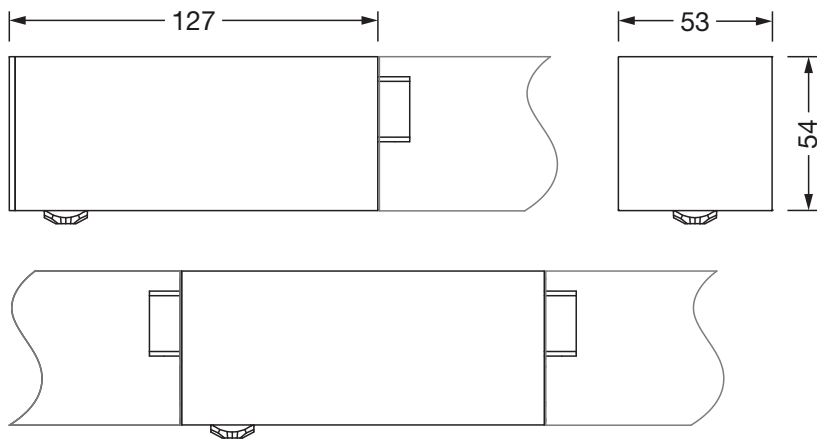
Inputs

1x PIR movement sensor

- Connection: PIR sensor (passive-infrared)

Order No.: 59MX2CW100SA | GTIN (EAN): 4058352760512

Dimensions: Sil21,SensMoPC3S,IokCtrl,PIR-sens



It is mandatory that the assembly instructions must be observed when planning and installing the electrical installation (to be found at www.siteco.com)

Tolerances related to thermal, electrical and photometric data according to IEC 62722

Issued 17.11.2023 - Modifications and errors subject to change - Ensure that you always use the latest version -