

Order No.: 5XA5275LF14H | GTIN (EAN): 4058352835296

Product description: CL-PLiQ,P100009,1440lm740,SR



City-Light Plus iQ, mast luminaire, Module 540 iQ-SR, primary light control with 3 zone faceted reflector, of plastic, silver coated, highly specular, structured, primary optical cover: cover, of PMMA, transparent, light distribution: P100009, primary beam angle: extremely wide distribution, light emission: direct distribution, primary light characteristic: asymmetric, installation type: post-top, lamps: LED, rated values: 1.440lm | 10W | 144lm/W (begin service life); end service life: 1.440lm | 10,4W; at 50% lumin. flux: 720lm | 5,3W | 135,8lm/W, colour temperature: 4000K, colour rendering: CRI > 70, light colour: 740, light setting 1 (further light settings possible): 100% | 1.440lm | 10W | 144lm/W | 4.000K (begin service life); end service life: 10,4W, control gear: iQ Street-Remote, control: pre-setting: logarithmic dimming characteristic, Street-Remote, Auto-Match, Temp-Guard, Lumen-Switch, Night-Set, Smart-Wire, Light-Fading, Desk-Remote (wireless, voltage-free reading and setting of iQ features in the workshop via application-optimized NFC function/RFID function), optimised constant luminous flux control (CLO 2.0), mains connection: 220..240V, AC, 50/60Hz, surge voltage resistance: surge voltage resistance: 10kV (common mode); 6kV (differential mode), electrical connection: terminal, 6-pole, max. 2.5mm², solid wire, fine wire, luminaire housing, upper part, of glass-fibre reinforced polyester, coated, SITECO metallic grey (DB 702S), diameter: 750mm, height: 590mm, spigot size: d x l = 76 x 70mm (post-top) | with reducer (optional accessory) 60 x 70mm, post-top mast mounting element, of diecast aluminium, coated, SITECO metallic grey (DB 702S), Module 540 iQ-SR, matt traffic white (RAL 9016), equipment: standard, protection rating (complete): IP65, insulation class (complete): insulation class II (safety insulation), certification: CE, ENEC, VDE, packaging unit: 1 piece



Lamps: LED
 Wt. (kg): 11.0
 GTIN (EAN): 4058352835296



It is mandatory that the assembly instructions must be observed when planning and installing the electrical installation (to be found at www.siteco.com)

Tolerances related to thermal, electrical and photometric data according to IEC 62722

Issued 14.03.2026 - Modifications and errors subject to change - Ensure that you always use the latest version -

Order No.: 5XA5275LF14H | GTIN (EAN): 4058352835296

Detailed technical description: CL-PLiQ,P100009,1440lm740,SR



Key data

- Product type: mast luminaire
- Product name: City-Light Plus iQ
- Order No.: 5XA5275LF14H

Lighting technology | Lamps | Control gear

Component 1

Lighting technology:

- Light control: 3 zone faceted reflector of plastic, silver coated, highly specular
- Cover: cover, transparent
- Light distribution: P100009
- Beam angle: extremely wide distribution
- Symmetry: asymmetric distribution
- Light emission: direct distribution

Lamps:

- Lamps: with LED
- Rated values: 1440lm | 10W | 144lm/W (begin service life); end service life: 1440lm | 10.4W; at 50% lumin. flux: 720lm | 5.3W | 135.8lm/W
- Colour temperature: 4000K
- Colour rendering index: CRI > 70
- Light colour: 740
- SDCM (Standard Deviation of Colour Matching): MacAdam ≤ 5 SDCM (initial)

Factory light settings (LS):

- begin service life: LS 1: 100% | 1440lm | 10W | 144lm/W | 4000K
- end service life: LS 1: 10.4W
- further light settings possible

Operating device:

- Control gear: ECG iQ
- Control: iQ Street-Remote
- Equipment: optimised constant luminous flux control (CLO 2.0), Desk-Remote (wireless, voltage-free reading and setting of iQ features in the workshop via application-optimized NFC function/RFID function), Light-Fading, Smart-Wire, Night-Set, Lumen-Switch, Temp-Guard, Auto-Match, Street-Remote, pre-setting: logarithmic dimming characteristic

Certificates, Standards

- Protection rating: IP65
- Insulation class: insulation class II (safety insulation)
- Certification, designation: CE, ENEC, VDE

Material, Colour

- luminaire housing, upper part: glass-fibre reinforced polyester, coated, SITECO metallic grey (DB 702S)
- post-top mast mounting element: diecast aluminium, coated, SITECO metallic grey (DB 702S)
- Module 540 iQ-SR: matt traffic white (RAL 9016)
- Cover: cover of PMMA

Mounting

- Mounting method, mounting location: post-top, on mast

Electrical connection

- Connection: terminal, 6-pole, max. 2.5mm², solid wire, fine wire
- Nominal voltage: 220..240V, 50/60Hz, AC
- Surge voltage resistance: surge voltage resistance: 10kV (common mode); 6kV (differential mode)

Dimensions, Weight

- Diameter: 750mm
- Height: 590mm
- Weight: 11.0kg
- Mast spigot: spigot size: d x l = 76 x 70mm (post-top) | with reducer (optional accessory) 60 x 70mm

Light emission

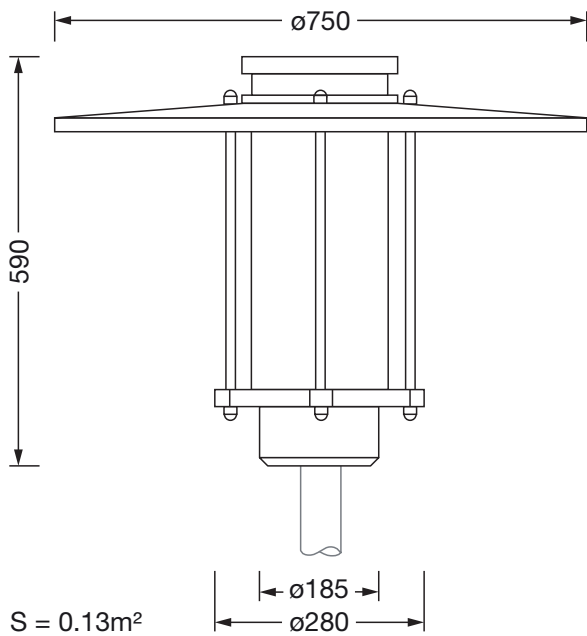
- Light emission: < 3%

Service life

- Rated service life: 100000h at AT = 25°C

Order No.: 5XA5275LF14H | GTIN (EAN): 4058352835296

Dimensions: CL-PlIQ,P100009,1440lm740,SR



It is mandatory that the assembly instructions must be observed when planning and installing the electrical installation (to be found at www.siteco.com)

Tolerances related to thermal, electrical and photometric data according to IEC 62722

Issued 14.03.2026 - Modifications and errors subject to change - Ensure that you always use the latest version -