

Order No.: 5EA40TE01 | GTIN (EAN): 4058352812075

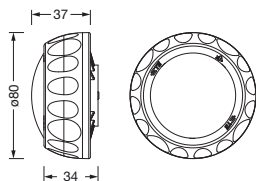
Product description: SConWi,MotionEasy



SITECO Connect WirelessMotion Easy, Smart Interface below, daylight sensor switch-on value 30 lux, switch-off value 30 lux, holding time after motion detection 2 minutes, luminous flux fixed at 20% in idle state and at 100% when motion is detected, installation type: screw fastening, installation location: to the luminaire, of PBT, voltage: 24V, voltage type: DC, D4i, by daylight, by movement, 1 PIR movement sensor, daylight sensor, PIR movement sensor, protection rating (complete): IP66, certification: CE, UL, packaging unit: 1 piece

IP 66 IK 07 CE

Wt. (kg): 0.1
GTIN (EAN): 4058352812075



It is mandatory that the assembly instructions must be observed when planning and installing the electrical installation (to be found at www.siteco.com)

Tolerances related to thermal, electrical and photometric data according to IEC 62722

Issued 22.12.2023 - Modifications and errors subject to change - Ensure that you always use the latest version -

Order No.: 5EA40TE01 | GTIN (EAN): 4058352812075

Detailed technical description: SConWi,MotionEasy



Key data

- Product type: sensor
- Product name: SITECO Connect Wireless
- Order No.: 5EA40TE01

Lighting technology | Lamps | Control gear

Component 1

Operating device:

- Control: D4i, Smart Interface below, luminous flux fixed at 20% in idle state and at 100% when motion is detected, holding time after motion detection 2 minutes, daylight sensor switch-on value 30 lux, switch-off value 30 lux

Certificates, Standards

- Protection rating: IP66
- Impact resistance: IK07
- Temperature range (operation): -40..+65°C
- Standard: according to Zhaga book 18
- Certification, designation: CE, UL

Material, Colour

- housing: PBT, grey
- Colour specification: grey

Mounting

- Mounting method, mounting location: screw fastening, to the luminaire
- Mounting height: 5..8m

Electrical connection

- Nominal voltage: 24V, DC

Dimensions, Weight

- Weight: 0.1kg

Inputs

PIR movement sensor

- Detection range: max. 30x6m
- Feature: incl. shield for reducing detection area

Mounting height

5.0 m

X axis

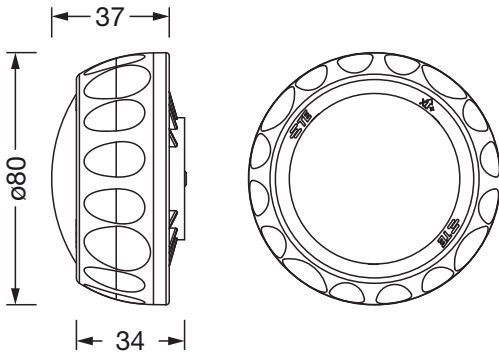
30.0 m

Y axis

6.0 m

Order No.: 5EA40TE01 | GTIN (EAN): 4058352812075

Dimensions: SConWi, MotionEasy



It is mandatory that the assembly instructions must be observed when planning and installing the electrical installation (to be found at www.siteco.com)

Tolerances related to thermal, electrical and photometric data according to IEC 62722

Issued 22.12.2023 - Modifications and errors subject to change - Ensure that you always use the latest version -