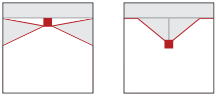


**Order No.:** 52TP12DN48XG | **GTIN (EAN):** 4058352903896

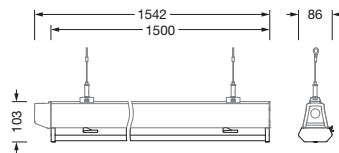
**Product description:** Lic21Pr,wd,8000lm840,DA2,IP64,L1500,wh



Licross® 21 Protected MO, luminaire insert, of sheet steel, galvanised, coil coated, white, length: 1.500mm, width: 90mm, height: 103mm, LED rated luminous flux: 8.000lm, light colour: 840, control gear: DALI 2, with plug, 5-pole, with phase selection, mains connection: 220..240V, AC, 50/60Hz, rated input power: 45W, halogen-free wiring, primary light control with lens, of plastic, primary optical cover: cover, of PMMA, light emission: direct distribution, primary light characteristic: symmetric, protection rating (complete): IP64, insulation class (complete): insulation class I (protective earthing), certification: CE, ENEC, VDE, UKCA, protection symbol: D if used in an environment with conductive dust loads with corresponding accessories, impact resistance: IK06, permissible ambient temperature for indoor applications: -25..+45°C, corresponds to IFS (International Featured Standards) requirements for safety and quality in the food industry, reducing of maximum allowable ambient temperature of 5°C with ceiling mounting, LABS conformity tested according to VDMA 24364:2018-05, packaging unit: 1 piece



Lamps:	LED
Wt. (kg):	2.4
GTIN (EAN):	4058352903896



It is mandatory that the assembly instructions must be observed when planning and installing the electrical installation (to be found at [www.siteco.com](http://www.siteco.com))

Tolerances related to thermal, electrical and photometric data according to IEC 62722

Issued 01.03.2024 - Modifications and errors subject to change - Ensure that you always use the latest version -

Order No.: 52TP12DN48XG | GTIN (EAN): 4058352903896

Detailed technical description: Lic21Pr,wd,8000lm840,DA2,IP64,L1500,wh

#### Key data

- Product type: luminaire insert
- Product name: Licross® 21 Protected MO
- Order No.: 52TP12DN48XG

#### Lighting technology | Lamps | Control gear

##### Component 1

##### Lighting technology:

- Light control: lens of plastic
- Cover: cover
- Beam angle: wide distribution
- Symmetry: symmetric
- Light emission: direct distribution
- UGR viewing direction along longitudinal luminaire axis:  $\leq 22$
- UGR viewing direction along lateral luminaire axis:  $\leq 25$

##### Lamps:

- Lamps: with LED
- Rated luminous flux: 8000lm
- Luminous efficacy: 177lm/W
- Colour temperature: 4000K
- Colour rendering index: CRI > 80
- Light colour: 840
- SDCM (Standard Deviation of Colour Matching): MacAdam  $\leq 3$  SDCM (initial)
- Rated input power: 45W
- Supplement: halogen-free wiring

##### Operating device:

- Control: DALI 2

#### Certificates, Standards

- Protection rating: IP64
- Insulation class: insulation class I (protective earthing)
- Impact resistance: IK06
- Protection symbol: D if used in an environment with conductive dust loads with corresponding accessories
- Temperature range (operation): -25..+45°C
- Supplement: corresponds to IFS (International Featured Standards) requirements for safety and quality in the food industry, reducing of maximum allowable ambient temperature of 5°C with ceiling mounting, LABS conformity tested according to VDMA 24364:2018-05
- Certification, designation: CE, ENEC, VDE, UKCA

#### Material, Colour

- Licross® LED insert: sheet steel, galvanised, coil coated, white
- Colour specification: white
- Cover: cover of PMMA

#### Mounting

- Mounting method, mounting location: slip-in mounting, in the Licross® trunking rail
- Arrangement: single/continuous arrangement
- Supplement: only suitable for indoor use

#### Electrical connection

- Connection: plug, 5-pole, with phase selection
- Nominal voltage: 220..240V, 50/60Hz, AC

#### Dimensions, Weight

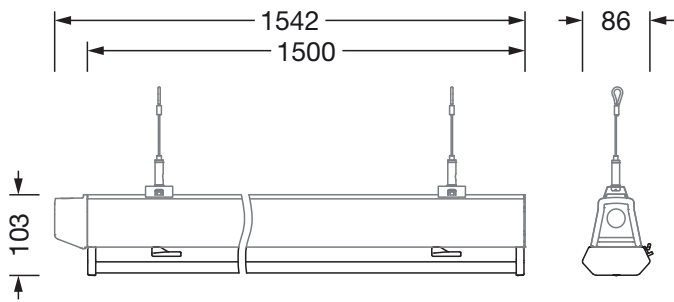
- Length: 1500mm
- Width: 90mm
- Height: 103mm
- Weight: 2.4kg

#### Service life

- Rated service life: 70000h (L80/B50) at AT = ta max, 75000h (L80/B50) at AT = 25°C

Order No.: 52TP12DN48XG | GTIN (EAN): 4058352903896

Dimensions: Lic21Pr,wd,8000lm840,DA2,IP64,L1500,wh



It is mandatory that the assembly instructions must be observed when planning and installing the electrical installation (to be found at [www.siteco.com](http://www.siteco.com))

Tolerances related to thermal, electrical and photometric data according to IEC 62722

Issued 01.03.2024 - Modifications and errors subject to change - Ensure that you always use the latest version -