

Order No.: 5XE2H31Y08GB | GTIN (EAN): 4058352910139

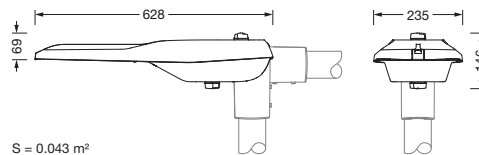
Product description: SL21iQmn,A520002,5880lm730,SR,D4i,LST,Za



Streetlight SL 21 iQ mini, mast luminaire, primary light control with lens, of PMMA, primary optical cover: cover, of toughened safety glass, transparent, light distribution: A520002, primary beam angle: wide distribution, light emission: direct distribution, primary light characteristic: asymmetric, installation type: post-top, side-entry, lamps: LED, rated values: 5.880lm | 39,8W | 147,7lm/W (begin service life); end service life: 5.880lm | 41,2W; at 50% lumin. flux: 2.940lm | 18W | 163,3lm/W, colour temperature: 3000K, colour rendering: CRI > 70, light colour: 730, light setting 1 (further light settings possible): 100% | 5.880lm | 39,8W | 147,7lm/W | 3.000K (begin service life); end service life: 41,2W, control gear: iQ-Street Remote, D4i with power reduction, control: pre-setting: logarithmic dimming characteristic, Street-Remote, Auto-Match, Temp-Guard, Lumen-Switch, Night-Set, Smart-Wire, Light-Fading, Desk-Remote (wireless, voltage-free reading and setting of iQ features in the workshop via application-optimized NFC function/RFID function), optimised constant luminous flux control (CLO 2.0), mains connection: 220..240V, AC, 50/60Hz, surge voltage resistance: surge voltage resistance: 10kV (common mode); 6kV (differential mode), luminaire housing, of diecast aluminium, powder-coated, SITECO metallic grey (DB 702S), corrosivity category C5 high according to DIN EN ISO 12944, please order mast flange separately, inclination adjustable: 0°, 5°, 10°, 15°, sealing non-destructively replaceable, multi-level sealing system, length: 628mm, width: 235mm, height: 110mm, mast flange for spigot size: 42mm (side-entry): 5XC10008XM4, 60/48mm (side-entry/post-top): 5XC10108XM2, 76/60mm (side-entry/post-top): 5XC10108XM1, Smart Interface above: Zhaga, Smart Interface below: Zhaga, protection rating (complete): IP66, insulation class (complete): insulation class II (safety insulation), certification: CE, ENEC, ENEC+, VDE, impact resistance: IK10, permissible operating ambient temperature for outdoor applications: -40..+50°C, standard-compliant lighting for roads and squares, packaging unit: 1 piece



Lamps: LED
 Wt. (kg): 5.0
 GTIN (EAN): 4058352910139



Order No.: 5XE2H31Y08GB | GTIN (EAN): 4058352910139

Detailed technical description: SL21iQmn,A520002,5880lm730,SR,D4i,LST,Za



Key data

- Product type: mast luminaire
- Product name: Streetlight SL 21 iQ mini
- Order No.: 5XE2H31Y08GB

Lighting technology | Lamps | Control gear

Component 1

Lighting technology:

- Light control: lens of PMMA
- Cover: cover, transparent
- Light distribution: A520002
- Beam angle: wide distribution
- Symmetry: asymmetric distribution
- Light emission: direct distribution

Lamps:

- Lamps: with LED
- Rated values: 5880lm | 39.8W | 147.7lm/W (begin service life); end service life: 5880lm | 41.2W; at 50% lumin. flux: 2940lm | 18W | 163.3lm/W
- Colour temperature: 3000K
- Colour rendering index: CRI > 70
- Light colour: 730

Factory light settings (LS):

- begin service life:
LS 1: 100% | 5880lm | 39.8W | 147.7lm/W | 3000K
- end service life:
LS 1: 41.2W
- further light settings possible

Operating device:

- Control: iQ-Street Remote, D4i with power reduction
- Smart Interface above: Zhaga
- Smart Interface below: Zhaga
- Equipment: optimised constant luminous flux control (CLO 2.0), Desk-Remote (wireless, voltage-free reading and setting of iQ features in the workshop via application-optimized NFC function/RFID function), Light-Fading, Smart-Wire, Night-Set, Lumen-Switch, Temp-Guard, Auto-Match, Street-Remote, pre-setting: logarithmic dimming characteristic

Certificates, Standards

- Protection rating: IP66
- Insulation class: insulation class II (safety insulation)
- Impact resistance: IK10
- Temperature range (operation): -40..+50°C
- Supplement: standard-compliant lighting for roads and squares
- Corrosion protection: corrosivity category C5 high according to DIN EN ISO 12944
- Certification, designation: CE, ENEC, ENEC+, VDE

Material, Colour

- luminaire housing: diecast aluminium, powder-coated, SITECO metallic grey (DB 702S), please order mast flange separately, inclination adjustable: 0°, 5°, 10°, 15°, sealing non-destructively replaceable, multi-level sealing system
- Cover: cover of toughened safety glass

Mounting

- Mounting method, mounting location: side-entry, post-top, on mast

Electrical connection

- Nominal voltage: 220..240V, 50/60Hz, AC
- Surge voltage resistance: surge voltage resistance: 10kV (common mode); 6kV (differential mode)

Dimensions, Weight

- Length: 628mm
- Width: 235mm
- Height: 110mm
- Weight: 5.0kg
- Mast spigot: mast flange for spigot size: 42mm (side-entry): 5XC10008XM4, 60/48mm (side-entry/post-top): 5XC10108XM2, 76/60mm (side-entry/post-top): 5XC10108XM1

Light emission

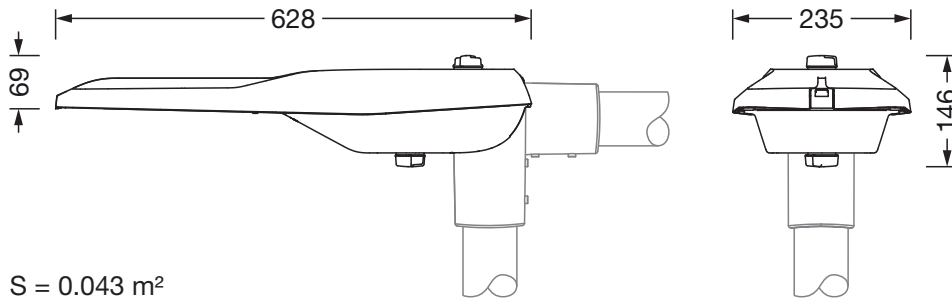
- Light emission: 0% at 0° inclination

Service life

- Rated service life: 100000h at AT = 25°C

Order No.: 5XE2H31Y08GB | GTIN (EAN): 4058352910139

Dimensions: SL21iQmn,A520002,5880lm730,SR,D4i,LST,Za



S = 0.043 m²