

**Order No.:** 51HF82DA4NMA | **GTIN (EAN):** 4058352919972

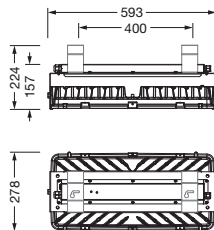
**Product description:** HB11Xtr,wd,33700lm840,DA2,bir



Highbay 11Xtreme, LED high bay luminaire, primary light control with lens, of PMMA, primary optical cover: cover, of toughened safety glass, light emission: direct distribution, primary light characteristic: symmetric, installation type: suspended mounting, surface-mounted, 1x LED module, for 1x LED, rated luminous flux: 33.700lm, luminous efficacy: 180lm/W, light colour: 840, colour temperature: 4000K, with cable H07RN-F 5x 1.5mm<sup>2</sup>, mains connection: 220..240V, AC, 50/60Hz, cable length: 1,5m, rated input power: 188W, luminaire housing, of diecast aluminium, partly coated, silver, length: 595mm, width: 280mm, height: 195mm, protection rating (complete): IP66, insulation class (complete): insulation class I (protective earthing), certification: CE, ENEC, UKCA, protection symbol: D, ball protection: ball impact resistant according to DIN VDE 0710 part 13 (with chain suspension), impact resistance: IK08, permissible operating ambient temperature: -25..+45°C, reducing of maximum allowable ambient temperature of 5°C with ceiling mounting, packaging unit: 1 piece



Lamps:	1x LED
Wt. (kg):	8.0
GTIN (EAN):	4058352919972



**Order No.:** 51HF82DA4NMA | **GTIN (EAN):** 4058352919972

**Detailed technical description:** HB11Xtr,wd,33700lm840,DA2,bir



#### Key data

- Product type: LED high bay luminaire
- Product name: Highbay 11Xtreme
- Order No.: 51HF82DA4NMA

#### Lighting technology | Lamps | Control gear

#### Component 1

#### Lighting technology:

- Light control: lens of PMMA
- Cover: cover
- Beam angle: wide distribution
- Symmetry: symmetric
- Light emission: direct distribution
- UGR viewing direction along longitudinal luminaire axis:  $\leq 22$
- UGR viewing direction along lateral luminaire axis:  $\leq 22$

#### Lamps:

- Lamps: with 1x LED
- Rated luminous flux: 33700lm
- Luminous efficacy: 180lm/W
- Colour temperature: 4000K
- Colour rendering index: CRI > 80
- Light colour: 840
- SDCM (Standard Deviation of Colour Matching): MacAdam  $\leq 3$  SDCM (initial)
- Rated input power: 188W

#### Operating device:

- Control: DALI 2

#### Certificates, Standards

- Protection rating: IP66
- Insulation class: insulation class I (protective earthing)
- Impact resistance: IK08
- Protection symbol: D
- Temperature range (operation): -25..+45°C
- Supplement: reducing of maximum allowable ambient temperature of 5°C with ceiling mounting
- Certification, designation: CE, ENEC, UKCA

#### Material, Colour

- luminaire housing: diecast aluminium, partly coated, silver
- Quantity: 1 piece
- Colour specification: silver
- Cover: cover of toughened safety glass

#### Mounting

- Mounting method, mounting location: suspended mounting, surface-mounted, to the ceiling, to the chain
- Arrangement: single arrangement
- Supplement: mounting accessories required, please order separately

#### Electrical connection

- Connection: cable H07RN-F 5x 1.5mm<sup>2</sup>
- Nominal voltage: 220..240V, 50/60Hz, AC

#### Dimensions, Weight

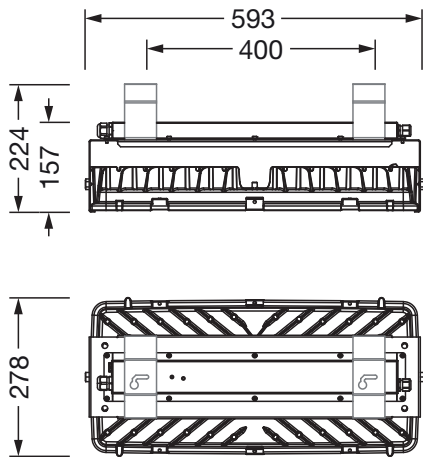
- Length: 595mm
- Width: 280mm
- Height: 195mm
- Weight: 8.0kg

#### Service life

- Rated service life: 100000h (L85/B50) at AT = 45°C

Order No.: 51HF82DA4NMA | GTIN (EAN): 4058352919972

Dimensions: HB11Xtr,wd,33700lm840,DA2,bir



It is mandatory that the assembly instructions must be observed when planning and installing the electrical installation (to be found at [www.siteco.com](http://www.siteco.com))  
Tolerances related to thermal, electrical and photometric data according to IEC 62722  
Issued 26.01.2024 - Modifications and errors subject to change - Ensure that you always use the latest version -