

**Order No.:** 5PJBI1D1004A | **GTIN (EAN):** 4058352960226

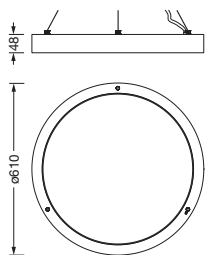
**Product description:** Sil21Ring-I,3430lm830,DA2,610,wh



Silica® 21 Ring-I, suspended luminaire, of PMMA, frosted, light emission: inner ring side luminous distribution, primary light characteristic: symmetric, installation type: suspended mounting, LED, rated luminous flux: 3.430lm, luminous efficacy: 57lm/W, light colour: 830, colour temperature: 3000K, with terminal, 5-pole, mains connection: 230V, AC/DC, 0/50..60Hz, rated input power: 60W, housing, of extruded aluminium section, traffic white (RAL 9016), diameter: 610mm, ceiling canopy, traffic white (RAL 9016), protection rating (lamp compartment): IP40, insulation class (complete): insulation class I (protective earthing), certification: CE, impact resistance: IK02, permissible operating ambient temperature: 0..+35°C, packaging unit: 1 piece



Lamps:	LED
Wt. (kg):	2.2
GTIN (EAN):	4058352960226



Order No.: 5PJBI1D1004A | GTIN (EAN): 4058352960226

Detailed technical description: Sil21Ring-I,3430lm830,DA2,610,wh



#### Key data

- Product type: suspended luminaire
- Product name: Silica® 21 Ring-I
- Order No.: 5PJBI1D1004A

#### Lighting technology | Lamps | Control gear

##### Component 1

#### Lighting technology:

- Beam angle: wide distribution
- Symmetry: symmetric
- Light emission: inner ring side luminous

#### Lamps:

- Lamps: with LED
- Rated luminous flux: 3430lm
- Luminous efficacy: 57lm/W
- Colour temperature: 3000K
- Colour rendering index: CRI > 80
- Light colour: 830
- SDCM (Standard Deviation of Colour Matching): MacAdam ≤ 3 SDCM (initial)
- Rated input power: 60W

#### Operating device:

- Control: DALI 2

#### Certificates, Standards

- Protection rating (lamp compartment): IP40
- Insulation class: insulation class I (protective earthing)
- Impact resistance: IK02
- Temperature range (operation): 0..+35°C
- Certification, designation: CE

#### Material, Colour

- housing: extruded aluminium section, traffic white (RAL 9016)
- Colour specification: traffic white (RAL 9016)
- Colour specification: traffic white (RAL 9016)

#### Mounting

- Mounting method, mounting location: suspended mounting
- Recommended suspension height: up to 4.0m
- Arrangement: single arrangement

#### Electrical connection

- Connection: terminal, 5-pole
- Nominal voltage: 230V, 0/50..60Hz, AC/DC

#### Dimensions, Weight

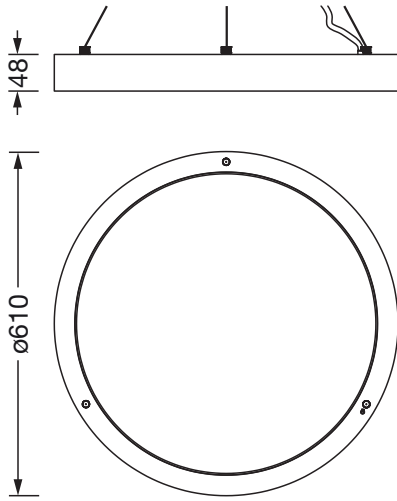
- Diameter: 610mm
- Weight: 2.2kg

#### Service life

- Rated service life: 50000h (L80/B50) at AT = 25°C

Order No.: 5PJBI1D1004A | GTIN (EAN): 4058352960226

Dimensions: Sil21Ring-I,3430lm830,DA2,610,wh



It is mandatory that the assembly instructions must be observed when planning and installing the electrical installation (to be found at [www.siteco.com](http://www.siteco.com))

Tolerances related to thermal, electrical and photometric data according to IEC 62722

Issued 27.10.2023 - Modifications and errors subject to change - Ensure that you always use the latest version -